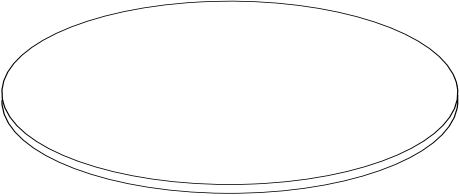
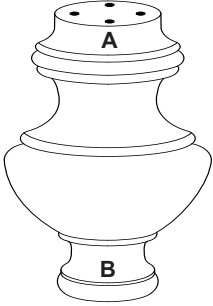
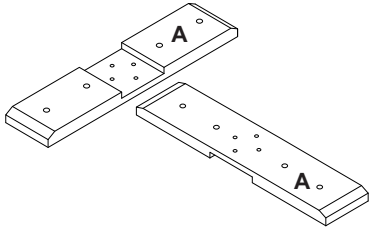
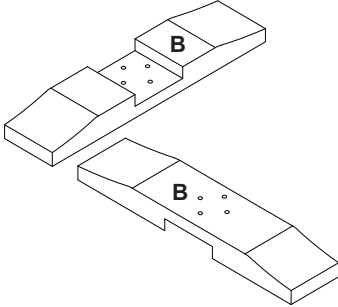
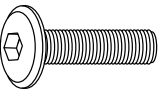
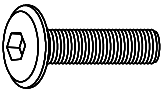
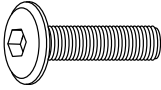
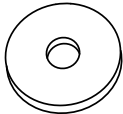



# ASSEMBLY INSTRUCTIONS

## Assembly Parts

			
<p><b>Marble Top</b></p>	<p><b>Pillar</b></p>	<p><b>Pillar Top</b></p>	<p><b>Pillar Bottom</b></p>

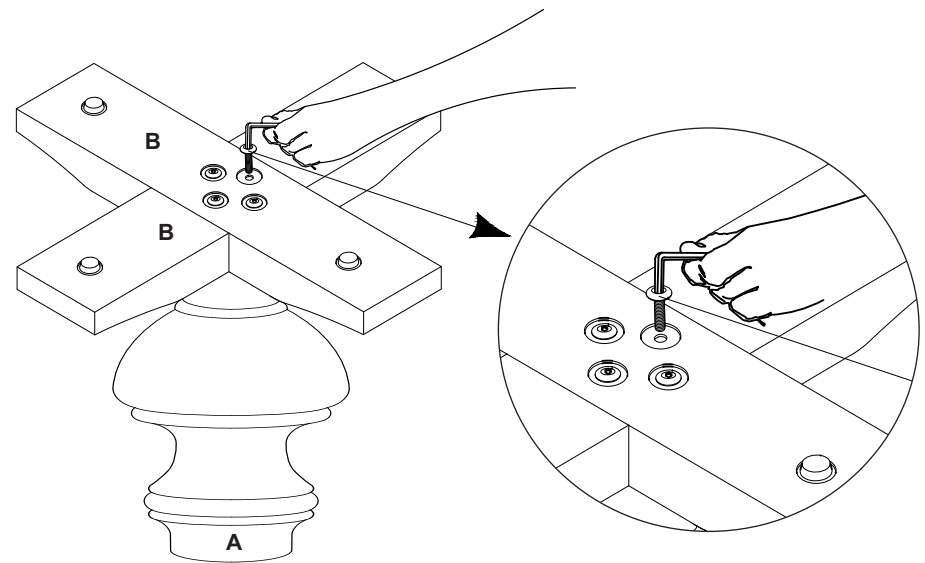
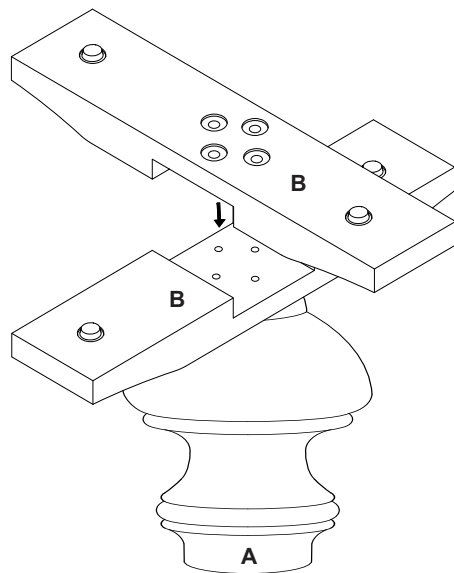
## Hardware Requirements

 <p><b>x 4 Pcs</b></p>	 <p><b>x 4 Pcs</b></p>	 <p><b>x 8 Pcs</b></p>	 <p><b>x 16 Pcs</b></p>	 <p><b>x 01 Pcs</b></p>
<p><b>Allen Bolt ( M8 x 75 )</b></p>	<p><b>Allen Bolt ( M8 x 40 )</b></p>	<p><b>Allen Bolt ( M6 x 30 )</b></p>	<p><b>Washer</b></p>	<p><b>Allen Key</b></p>

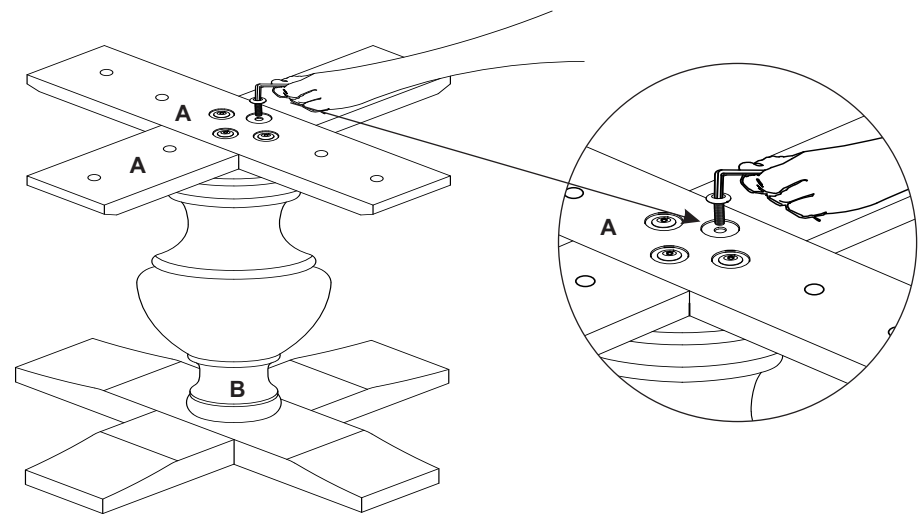
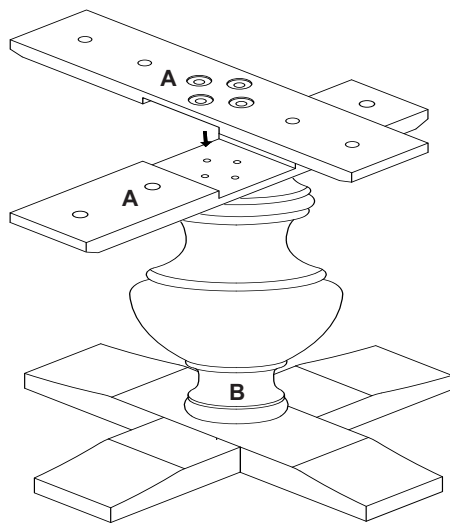
1. IDENTIFY THE PARTS.
2. MAKE SURE YOU HAVE ALL THE PARTS AND FIXINGS.
3. HAVE THE NECESSARY TOOLS READY.
4. PREPARE A SPACE FOR ASSEMBLY, IDEALLY WITH A PROTECTIVE BLANKET OR CARPET TO PREVENT DAMAGES.
5. ASSEMBLE THE FURNITURE FOLLOWING THE ASSEMBLY INSTRUCTION.
6. RE-TIGHTEN THE NUTS, BOLTS AND SCREW AFTER A PERIOD OF USE.

# ASSEMBLY INSTRUCTIONS

## STEP - 1

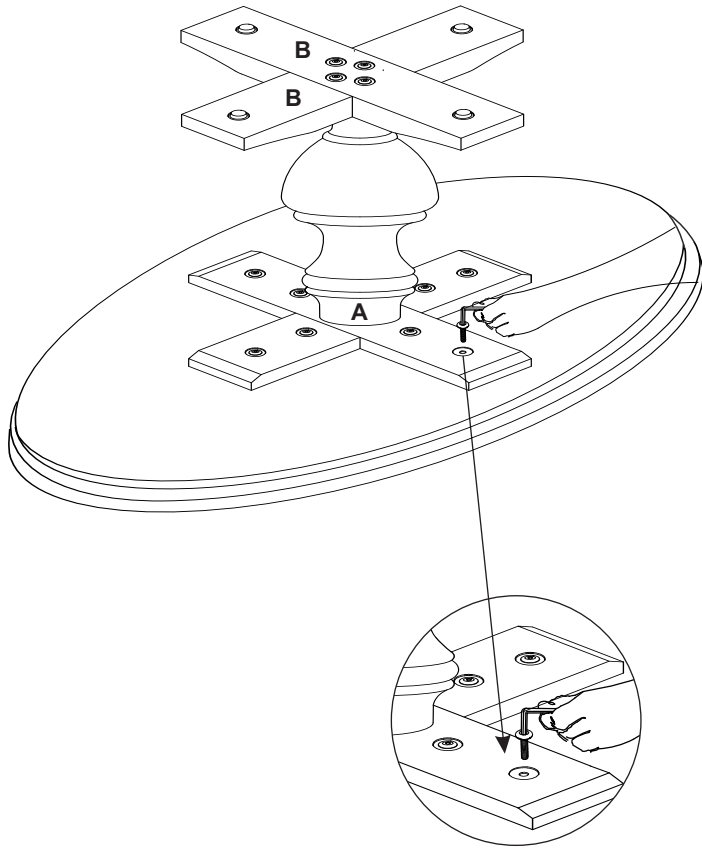


## STEP - 2



# ASSEMBLY INSTRUCTIONS

**STEP - 3**



**Assembly Completed.**

