

T O V



Santana Glass Desk Console Table

DON'T BE BORING.

Hardware and Components



A x1pc



B x2pcs



C x1pc Allen Key



D x12pcs Bolts



E x12pcs Flat Washer



F x12pcs Spring Washer

Step 1

Open the box . Look for the red streamer.

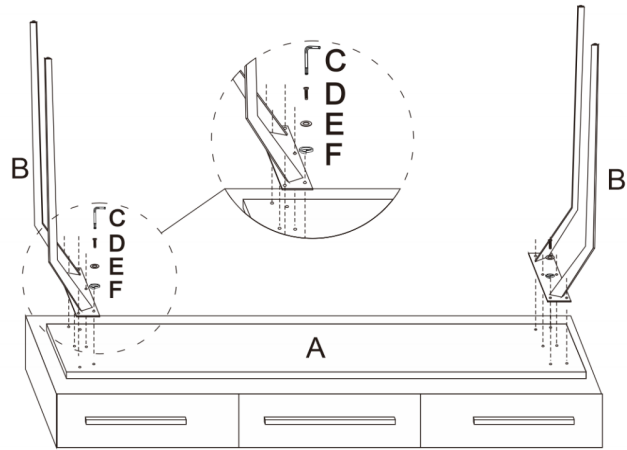


Step 2

A. Tip the table top over.

B. Attach legs (parts B) to table top (part A) using parts D, E, and F.

C. Lightly tighten with Allen Key tool (part C).

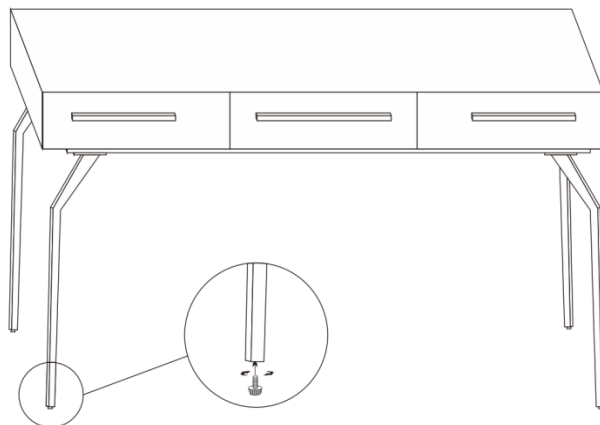


Step 3

A. Turn the product over so it is standing in the upright position.

B. Tighten the bottom.

C. Complete!



Stuck?

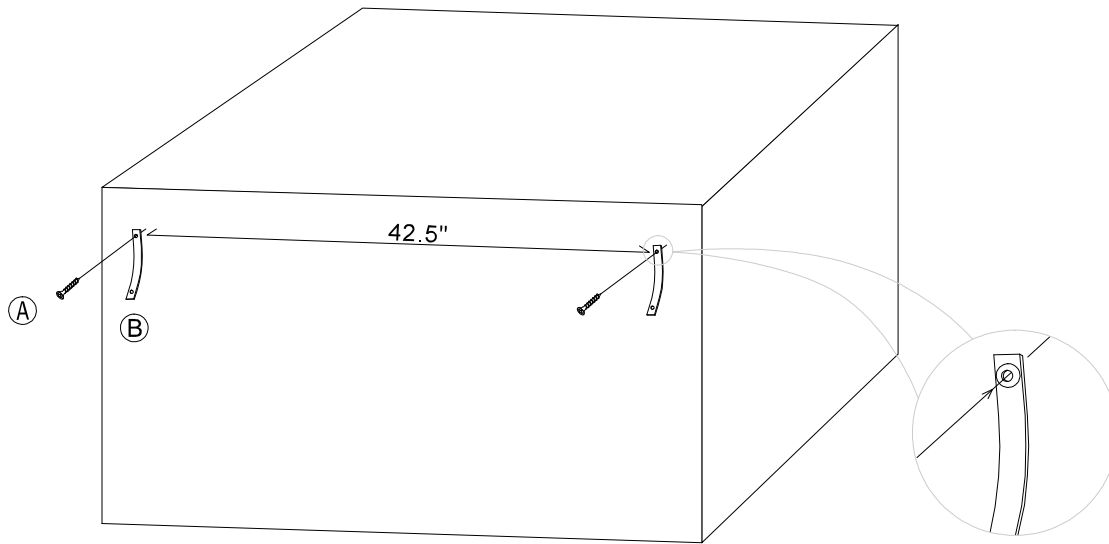
Contact our team @ 516-888-3355

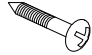


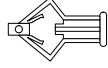
Scan for product care!



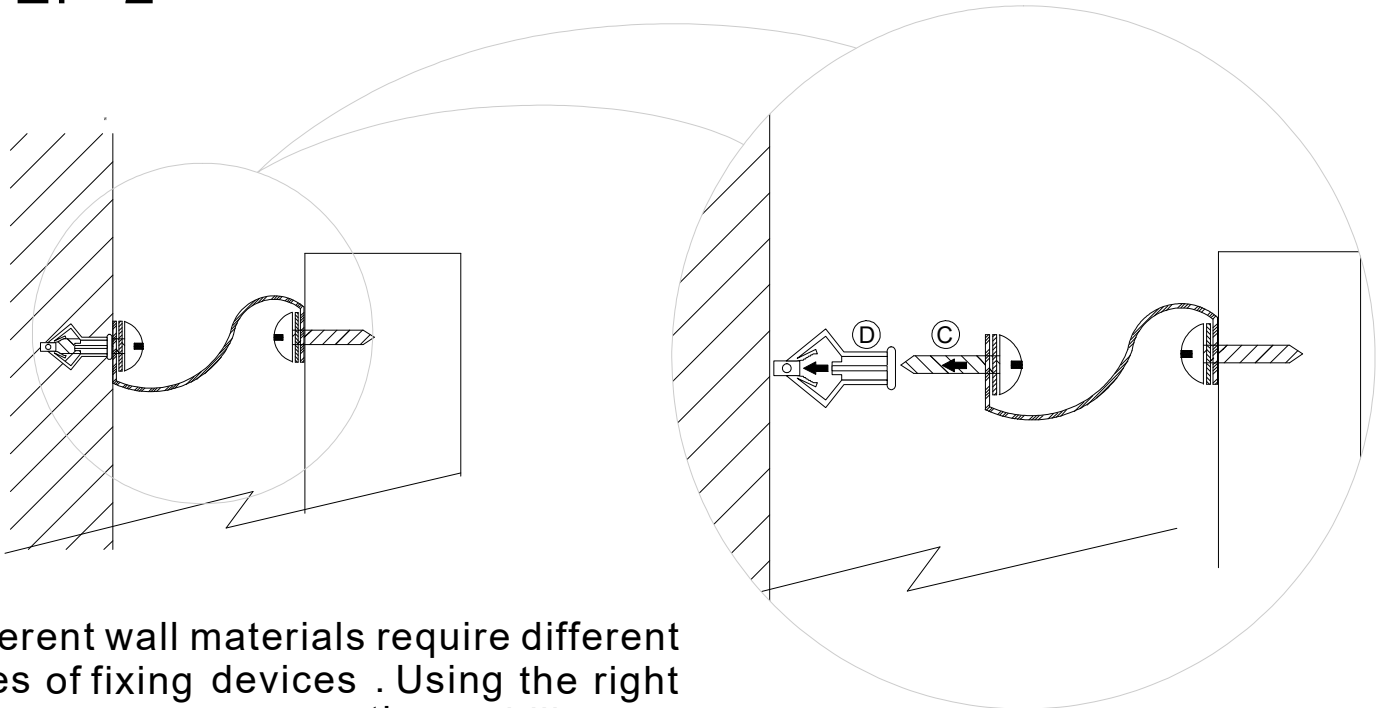
ASSEMBLY INSTRUCTION

STEP 1



	PARTS	QUANTITY
A	 M4x16	2PCS
B		2PCS
C	 M4x62	2PCS
D		2PCS

STEP 2



Different wall materials require different types of fixing devices . Using the right fixing devices secures the stability and load bearing capacity of the wall restraint.

If you are uncertain about what type of screw or fitting to use, please contact your local hardware store.

Nylon straps and screws are provided as safety measures for preventing accidental furniture tip overs. The nylon straps are screwed one end to the back of furniture and the other to studs in the wall.


TOV



Follow us!

Show your new purchase some love by tagging it on our Instagram!

 @tovfurniture

 516-888-3355

 hello@tovfurniture.com

 www.tovfurniture.com

If the future is female—your furniture should be, too. No mahogany in sight. Sexy settees shaped like lips. Price points for any budget. At TOV, we do things differently.