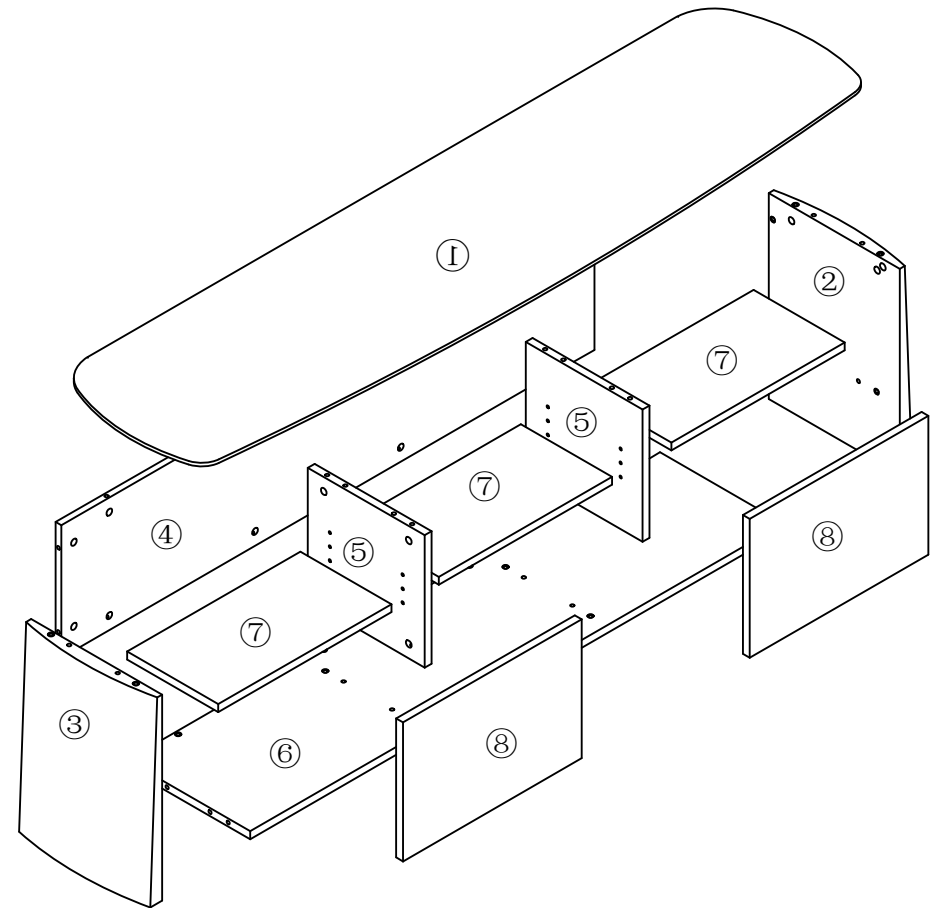
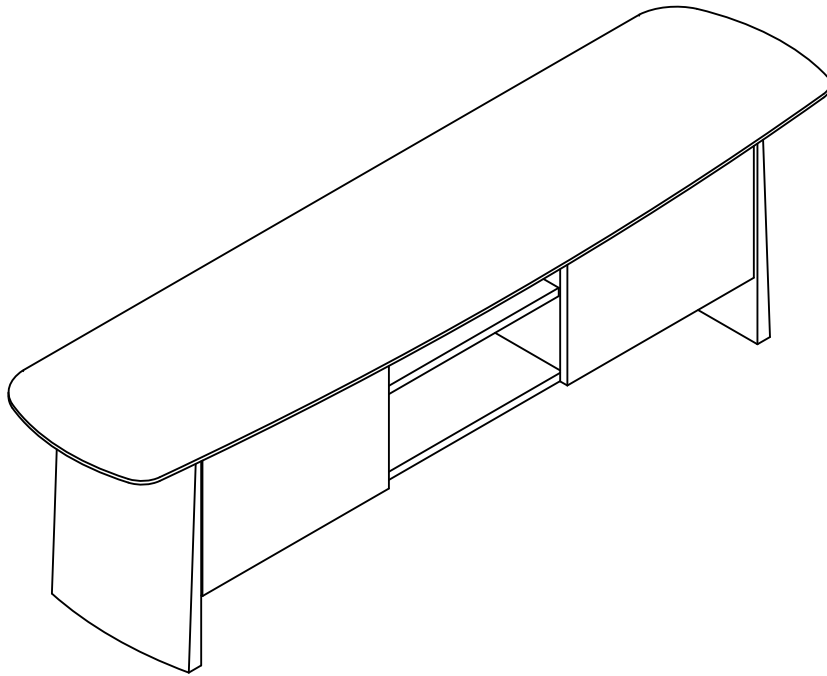

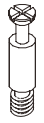



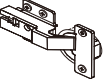
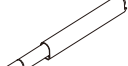
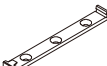



Assembly Instructions

FOLKE-71 Media Stand

PLEASE NOTE: Check that you have received all components and hardware before assembling. If you are missing any parts, contact your retailer.

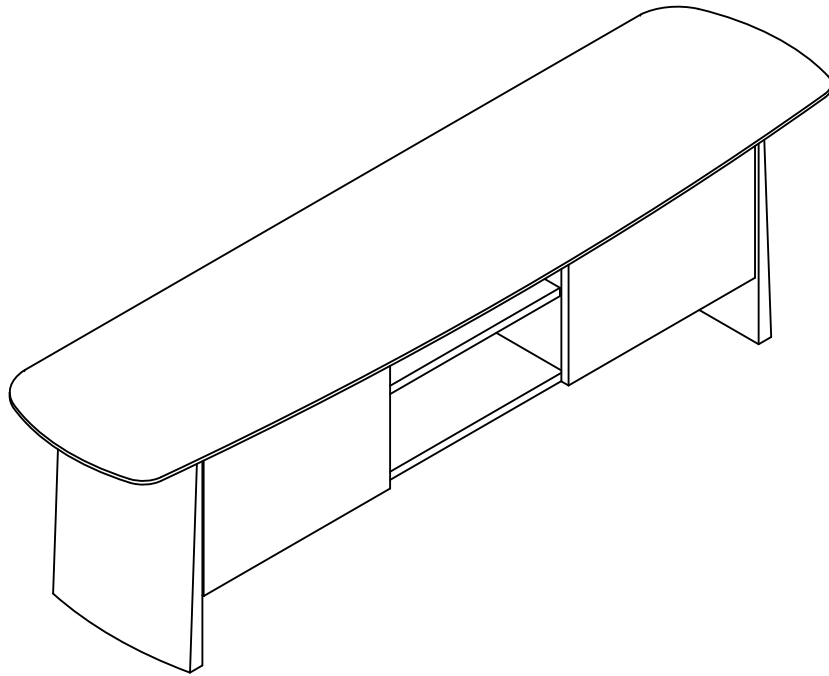


- | | | | | |
|---|---|---|---|---|
|  |  |  |  | |
| A (16 pcs)
Ø8x30mm | B (28 pcs)
M7x35mm | C (28 pcs)
M7x35mm | D (28 pcs)
Ø20x1mm | |
|  |  |  |  |  |
| E (12 pcs)
M4 | F (4 pcs) | G (2 pcs) | H (2 pcs) | I (24 pcs)
M4x15mm |

During assembly, hand tighten screws only. When the screws are in place, tighten completely.

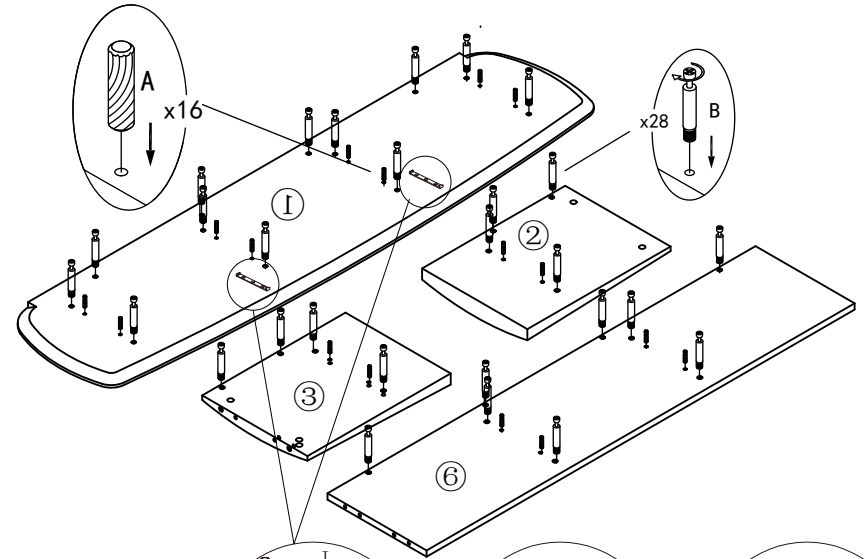
Assembly Instructions

FOLKE-71 Media Stand

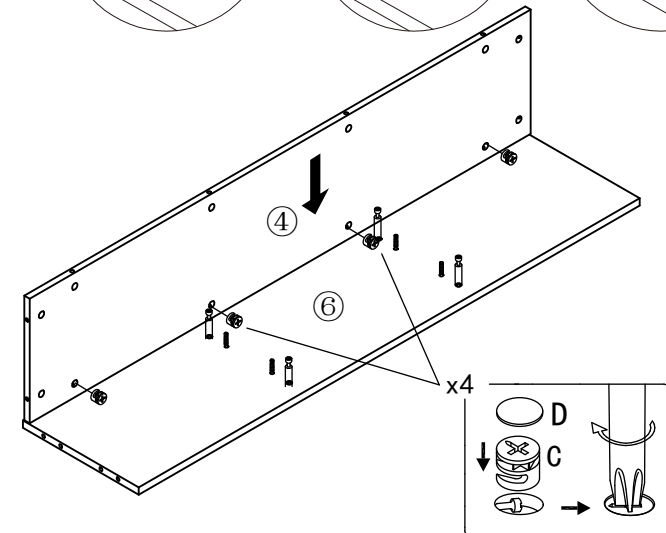
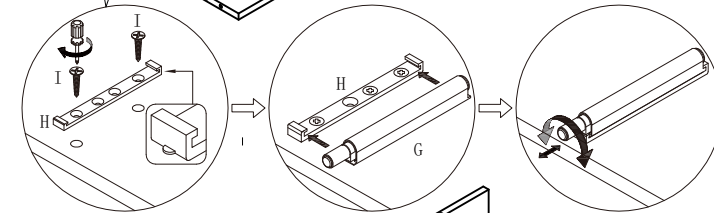



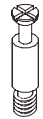



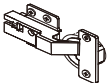
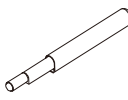
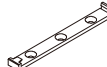

PLEASE NOTE: Check that you have received all components and hardware before assembling. If you are missing any parts, contact your retailer.

1.



2.

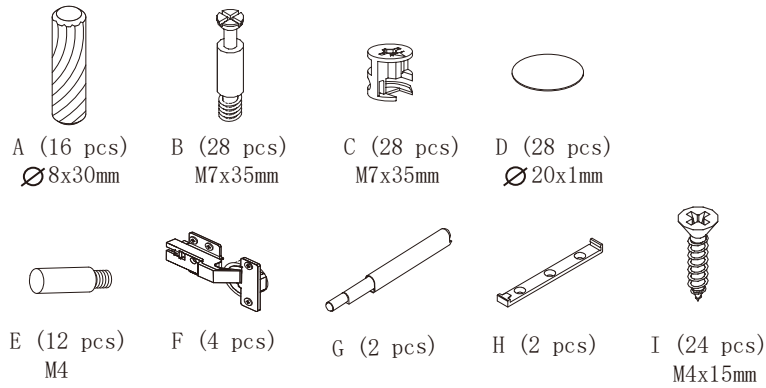
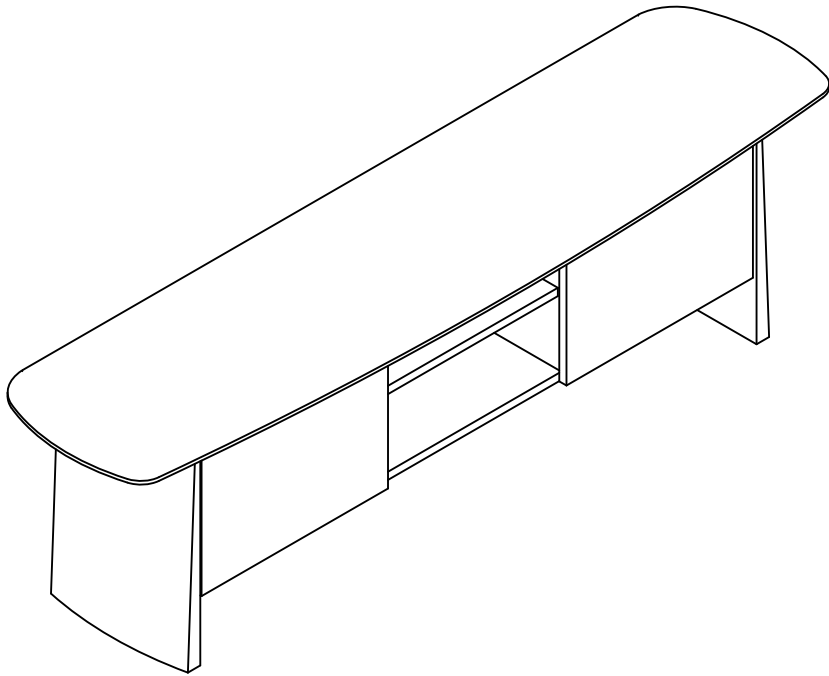


- | | | | |
|---|---|---|---|
|  |  |  |  |
| A (16 pcs)
Ø8x30mm | B (28 pcs)
M7x35mm | C (28 pcs)
M7x35mm | D (28 pcs)
Ø20x1mm |
|  |  |  |  |
| E (12 pcs)
M4 | F (4 pcs) | G (2 pcs) | H (2 pcs) |
| | | |  |
| | | | I (24 pcs)
M4x15mm |

During assembly, hand tighten screws only. When the screws are in place, tighten completely.

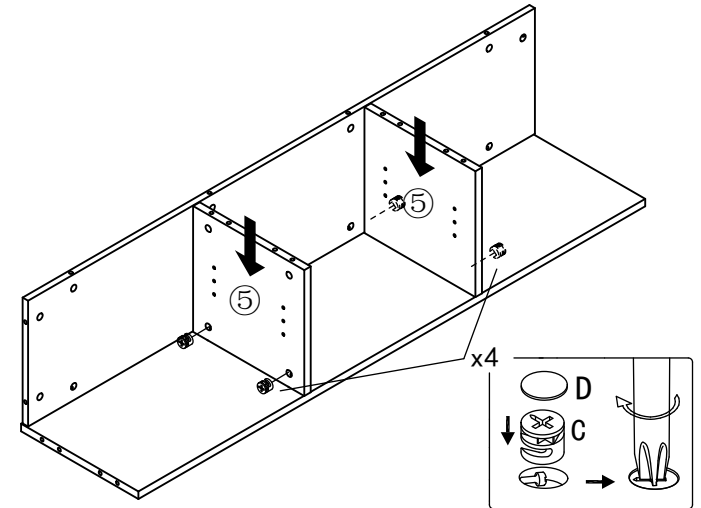
Assembly Instructions

FOLKE-71 Media Stand

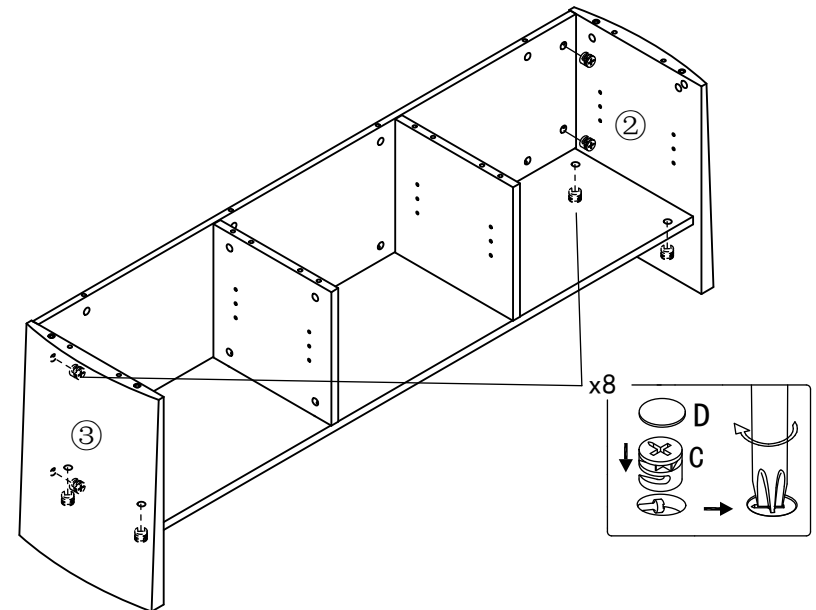


PLEASE NOTE: Check that you have received all components and hardware before assembling. If you are missing any parts, contact your retailer.

3.



4.

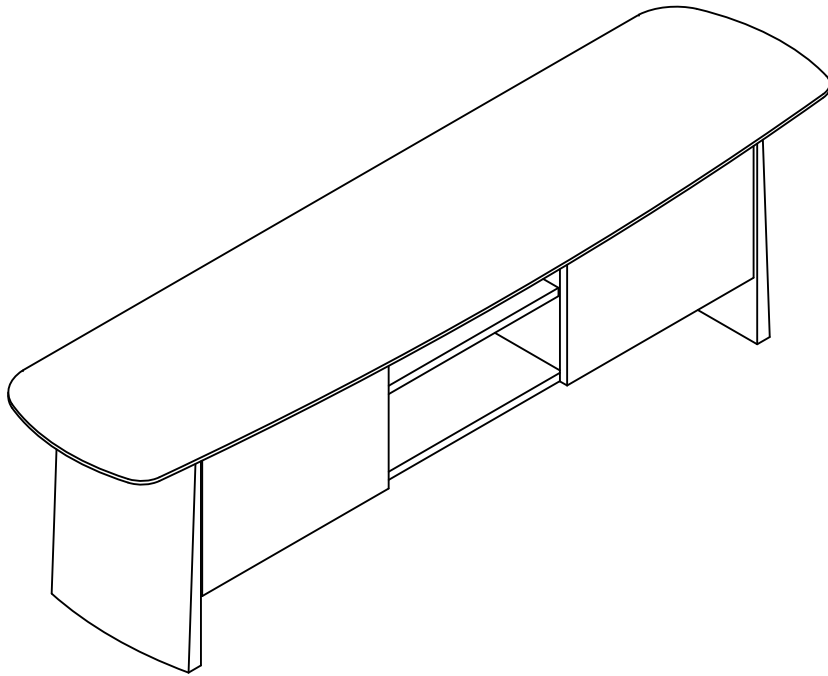


During assembly, hand tighten screws only. When the screws are in place, tighten completely.

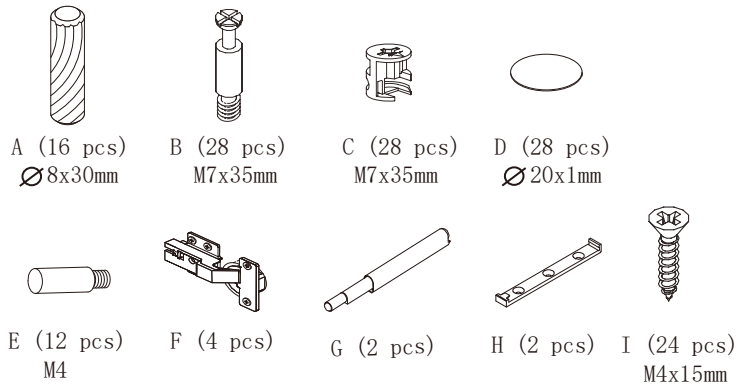
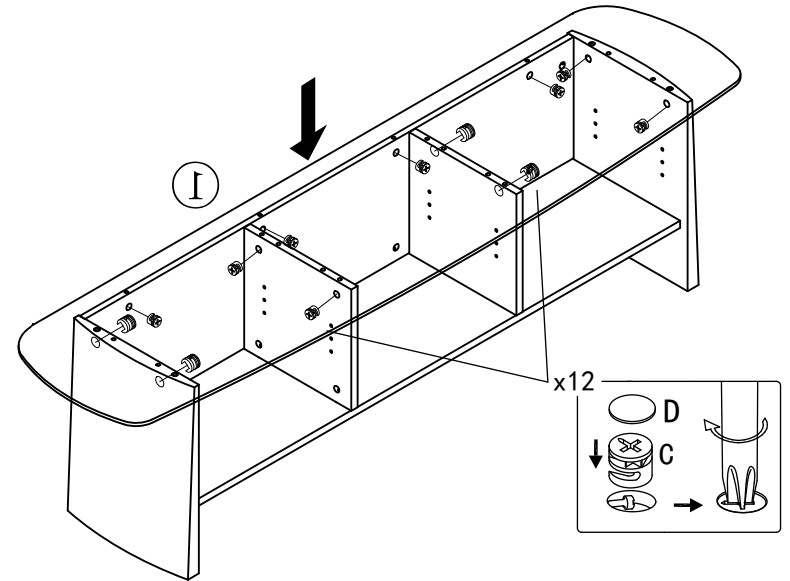
Assembly Instructions

FOLKE-71 Media Stand

PLEASE NOTE: Check that you have received all components and hardware before assembling. If you are missing any parts, contact your retailer.



5.

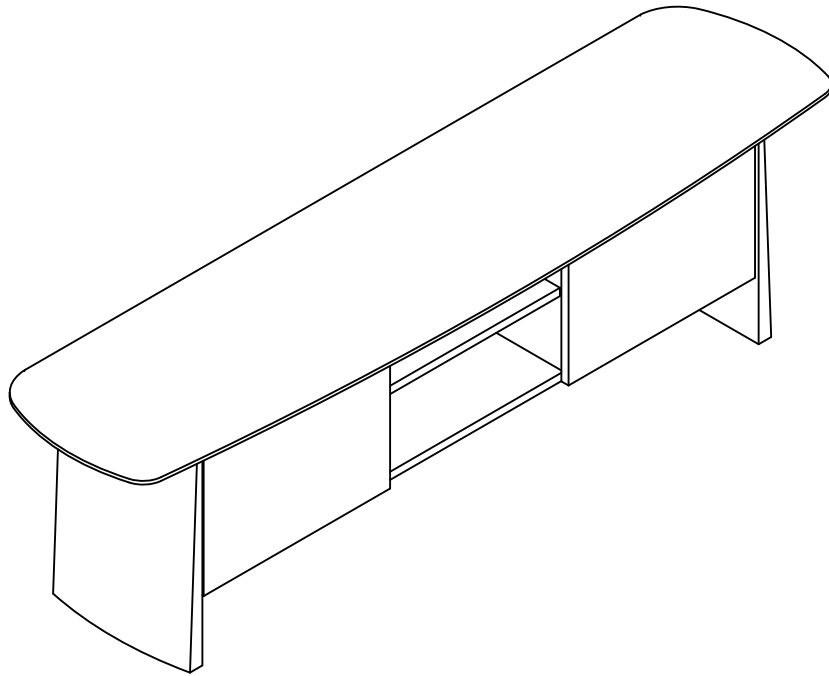


During assembly, hand tighten screws only. When the screws are in place, tighten completely.

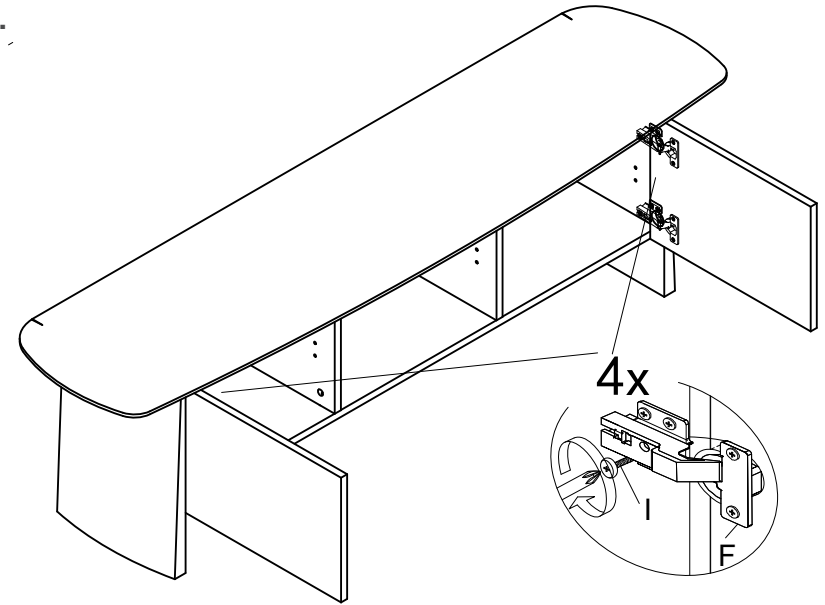
Assembly Instructions






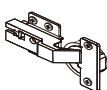
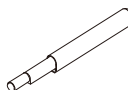
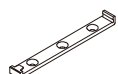

FOLKE-71 Media Stand

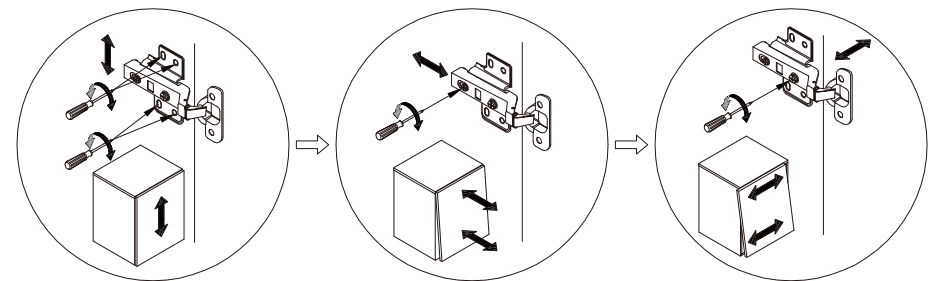
PLEASE NOTE: Check that you have received all components and hardware before assembling. If you are missing any parts, contact your retailer.



6.



- | | | | | |
|---|---|---|---|---|
|  |  |  |  | |
| A (16 pcs)
Ø8x30mm | B (28 pcs)
M7x35mm | C (28 pcs)
M7x35mm | D (28 pcs)
Ø20x1mm | |
|  |  |  |  |  |
| E (12 pcs)
M4 | F (4 pcs) | G (2 pcs) | H (2 pcs) | I (24 pcs)
M4x15mm |

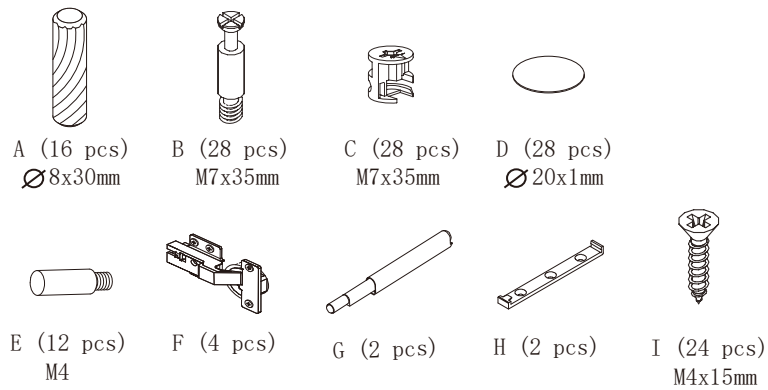
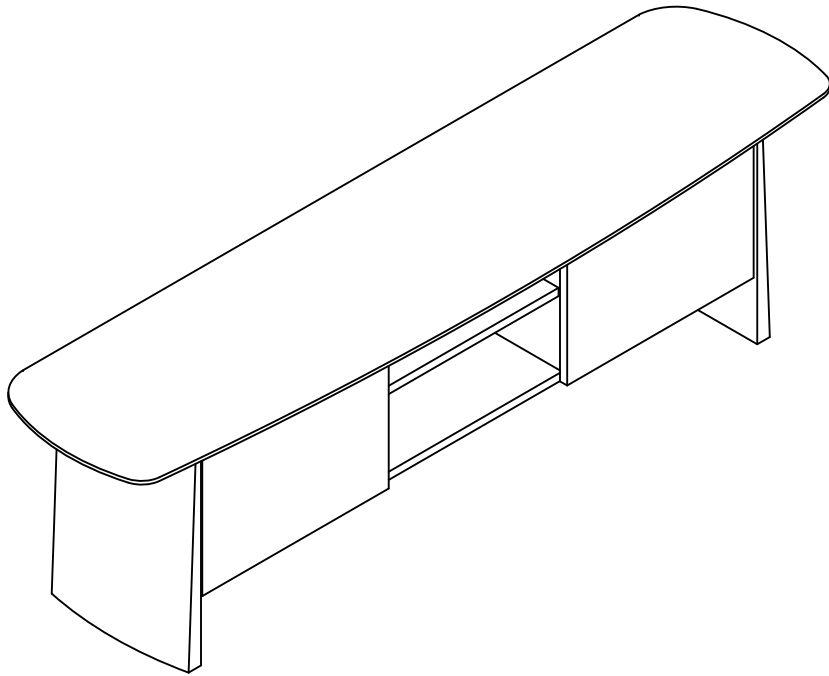


During assembly, hand tighten screws only. When the screws are in place, tighten completely.

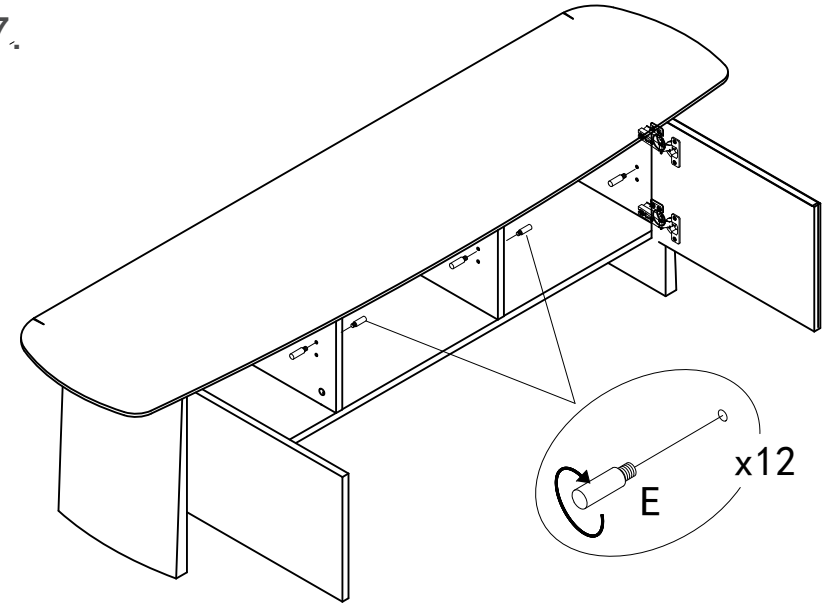
Assembly Instructions

FOLKE-71 Media Stand

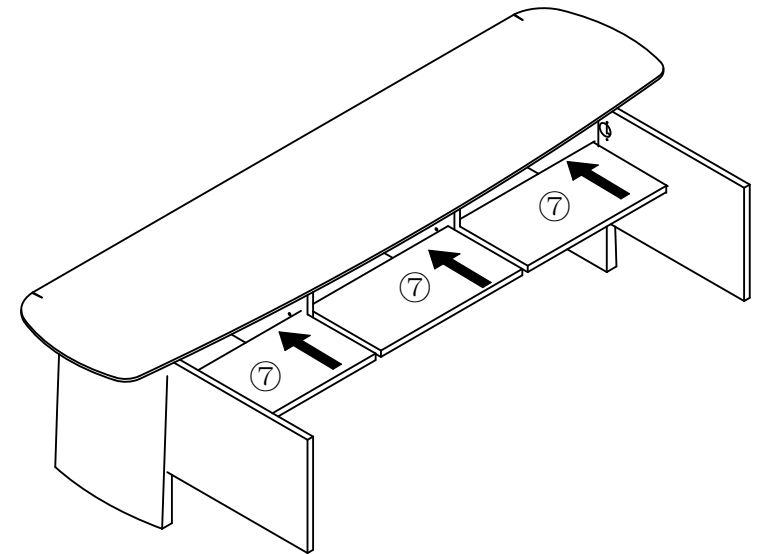
PLEASE NOTE: Check that you have received all components and hardware before assembling. If you are missing any parts, contact your retailer.



7.



8.



During assembly, hand tighten screws only. When the screws are in place, tighten completely.