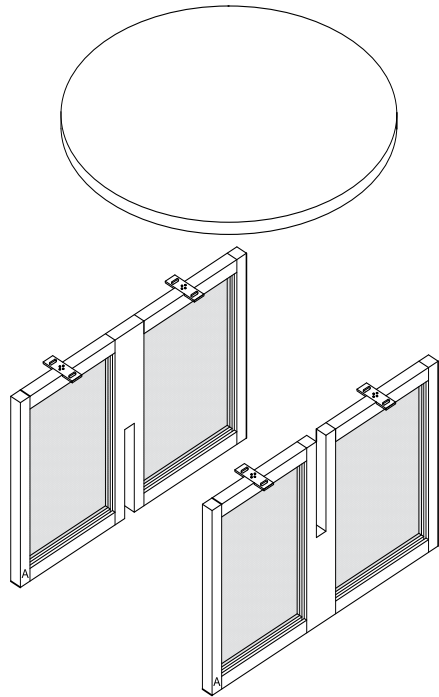
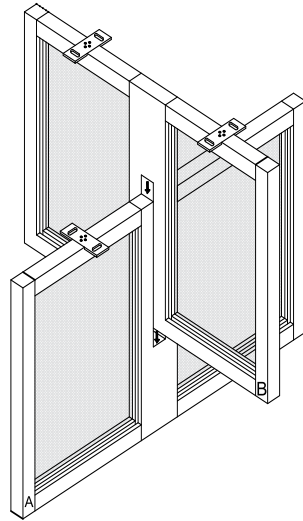


# ASSEMBLY INSTRUCTIONS

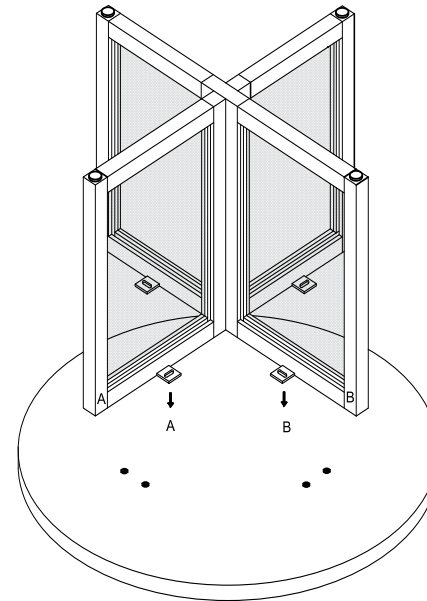
Step 1



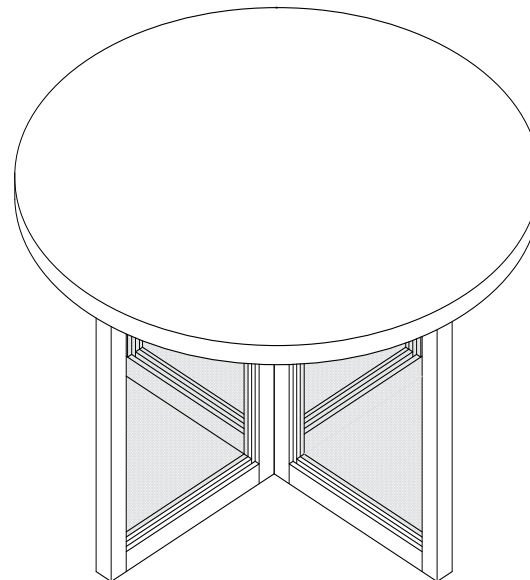
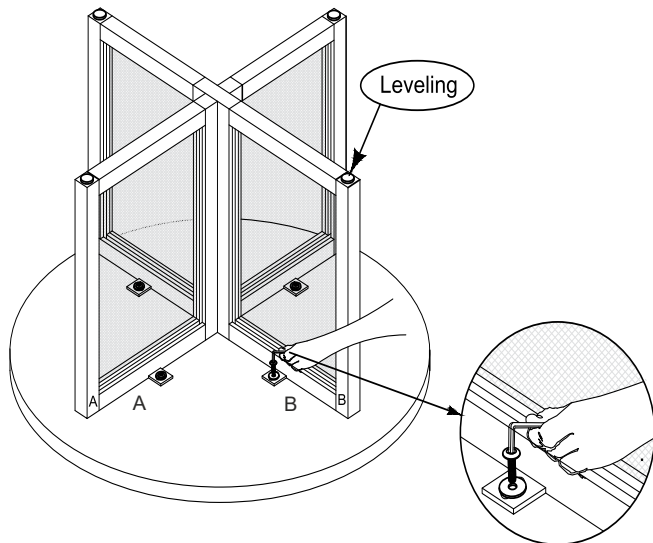
Step 2



Step 3



Step 4



Assembly Completed !!.

## PARTS

DESCRIPTION	IMAGE	QTY.
Wooden Top		1
Base		1
Base		1

## HARDWARE REQUIRED

DESCRIPTION	IMAGE	QTY.
Allen Key Bolt (Size : 8 x 25mm)		8
Allen Key		1
Washer		8

1. IDENTIFY THE PARTS.
2. MAKE SURE YOU HAVE ALL THE PARTS AND FIXINGS.
3. HAVE THE NECESSARY TOOLS READY.
4. PREPARE A SPACE FOR ASSEMBLY, IDEALLY WITH A PROTECTIVE BLANKET OR CARPET TO PREVENT DAMAGES.
5. ASSEMBLE THE FURNITURE FOLLOWING THE ASSEMBLY INSTRUCTION.
6. RE-TIGHTEN THE NUTS, BOLTS AND SCREW AFTER A PERIOD OF USE.