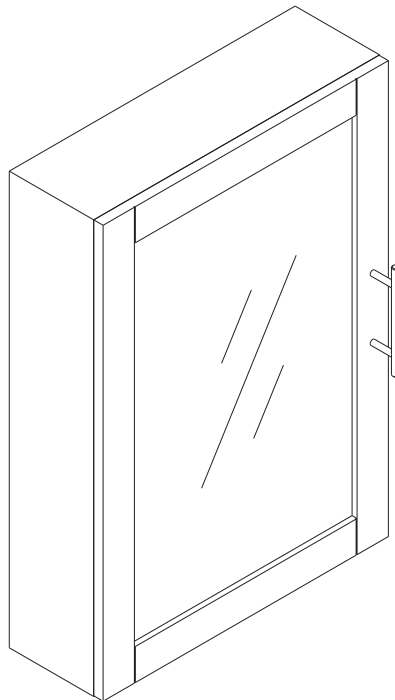


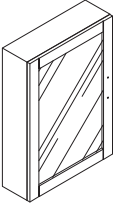
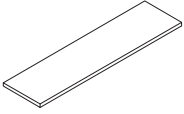
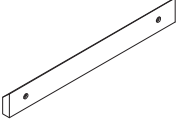
CROSLLEY

F U R N I T U R E

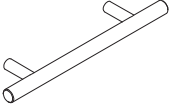
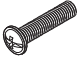
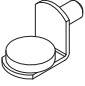
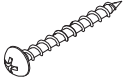
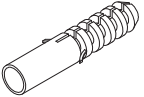
Mirrored Wall Cabinet CF7028



PART LIST

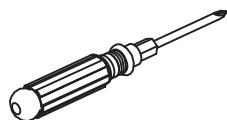
<div data-bbox="151 159 183 197" data-label="Text">A</div> 	<div data-bbox="411 159 475 197" data-label="Text">B2</div> 	<div data-bbox="670 159 702 197" data-label="Text">C</div> 
<div data-bbox="181 376 376 434" data-label="Text">Framed Mirror 1 PC</div>	<div data-bbox="424 376 647 434" data-label="Text">Adjustable Shelf 3 PCS</div>	<div data-bbox="703 376 887 434" data-label="Text">Support Plate 1 PC</div>

HARDWARE LIST

<div data-bbox="135 618 183 656" data-label="Text">#1</div> 	<div data-bbox="397 618 445 656" data-label="Text">#2</div> 	<div data-bbox="655 618 703 656" data-label="Text">#3</div> 	<div data-bbox="914 618 962 656" data-label="Text">#4</div> 	<div data-bbox="1173 618 1220 656" data-label="Text">#5</div> 
<div data-bbox="212 835 312 893" data-label="Text">Handle 1 PC</div>	<div data-bbox="408 835 643 893" data-label="Text">Round Head Bolt 2 PCS</div>	<div data-bbox="663 835 895 893" data-label="Text">Shelf Holder 12 PCS (Extra 1)</div>	<div data-bbox="994 835 1090 893" data-label="Text">Screw 4 PCS</div>	<div data-bbox="1214 835 1393 893" data-label="Text">Wall Anchor 4 PCS</div>

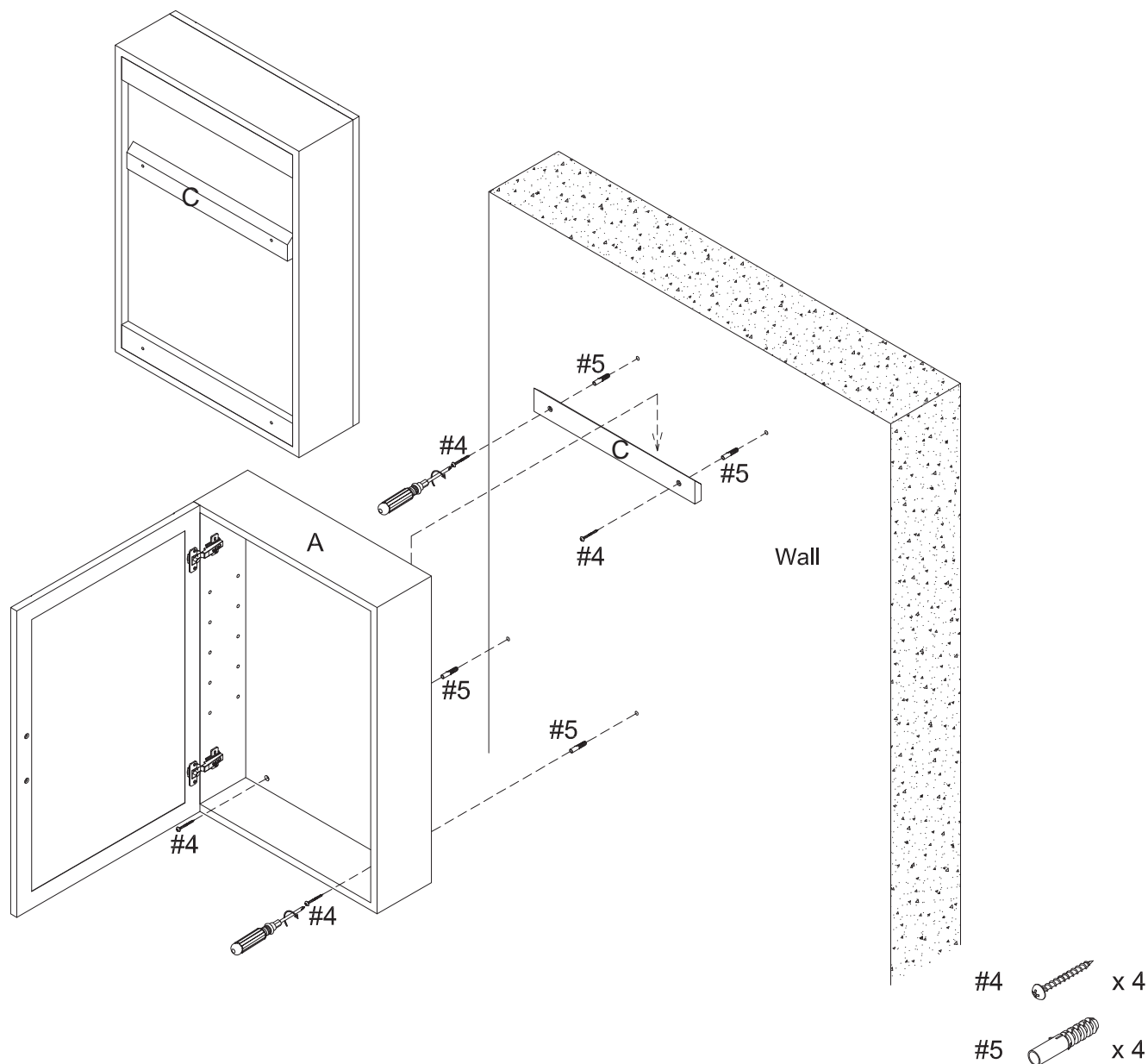
ADDITIONAL TOOLS (Not Provided)

Note: It is not recommended to use power tools during assembly.



Phillips Head Screwdriver

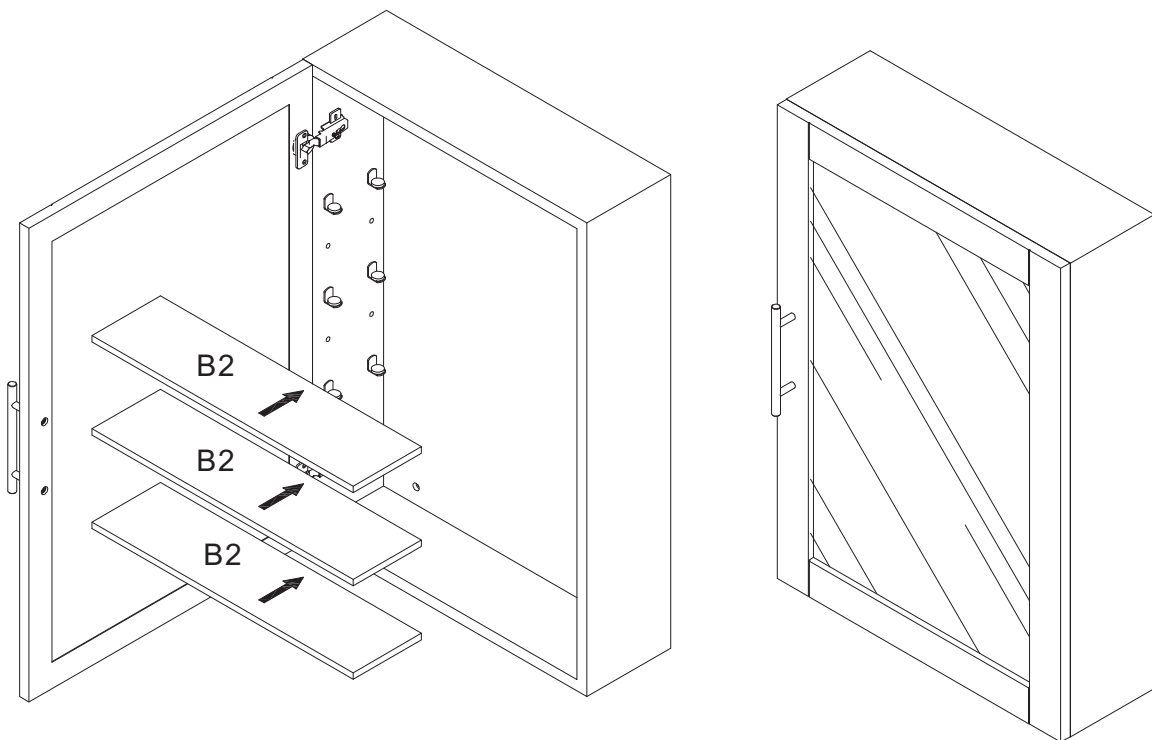
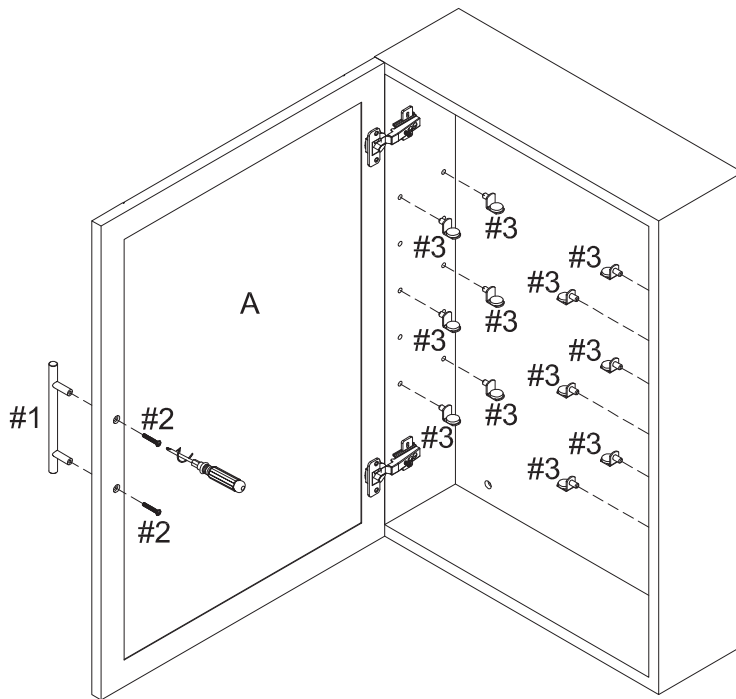
Step 1. Hold support plate (part C) in desired location. Support plate (part C) will be about 2-1/2" lower than the top of framed mirror (part A). Make sure support plate (part C) is level, we recommend using a leveler to ensure it's oriented correctly. Use a pencil to mark the anchor locations using support plate (part C) screw holes as a guide. Drill two 11/32" holes in these marked spots and tap wall anchors (part #5) into the drilled holes. Secure support plate (part C) to wall anchors (part #5) using screws (part #4) and phillips head screwdriver. Mount framed mirror (part A) onto support plate (part C). The back of framed mirror (part A) has a recessed area that will hook onto support plate (part C). Use a pencil to mark the 2nd set of anchor locations using framed mirror (part A) screw holes as a guide. Remove framed mirror (part A) and drill two 11/32" holes in these marked spots and tap wall anchors (part #5) into the drilled holes. Remount framed mirror (part A) and secure it to wall anchors (part #5) using screws (part #4) and phillips head screwdriver.

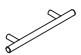


Step 2. Insert shelf holders (part #3) into desired position.

Slide adjustable shelves (part B2) into place.

Attach handle (part #1) to the door of framed mirror (part A) using round head bolts (part #2) and phillips head screwdriver.



#1  x 1

#2  x 2

#3  x 12