








# ASSEMBLY INSTRUCTIONS

CVFDR1038

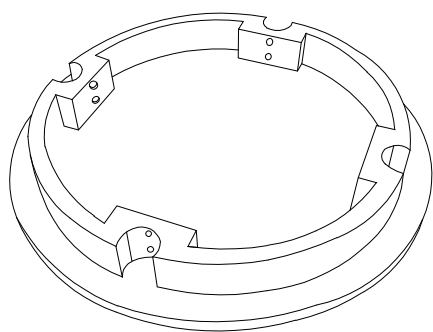
## PARTS

S.NO.	DESCRIPTION		QNT
A		TOP	01
B		LEGS	04
C		SHELF	01

## HARDWARE

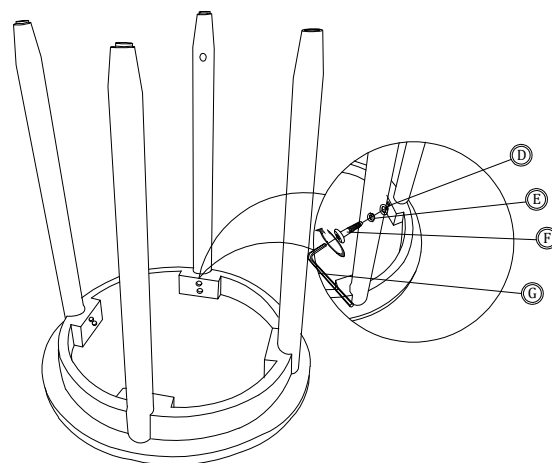
S.NO.	DESCRIPTION		QNT
D		WASHER	12
E		SPRING WASHER	12
F		JCBC M6 x 40	12
G		ALLEN KEY	01

### STEP - 1



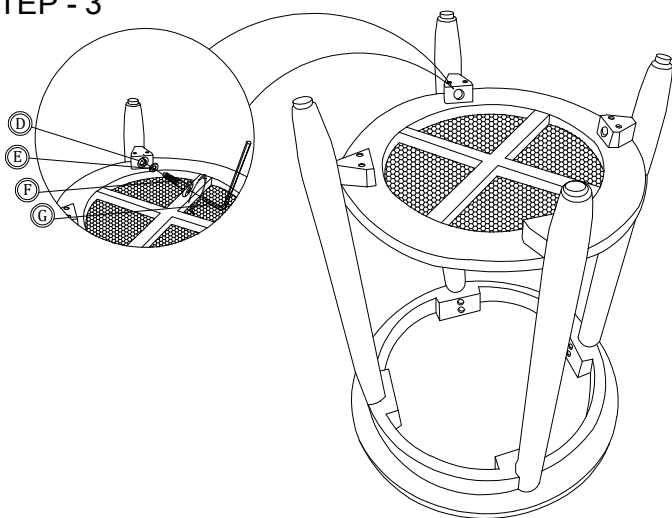
Put the TOP (A) on the floor upside down

### STEP - 2



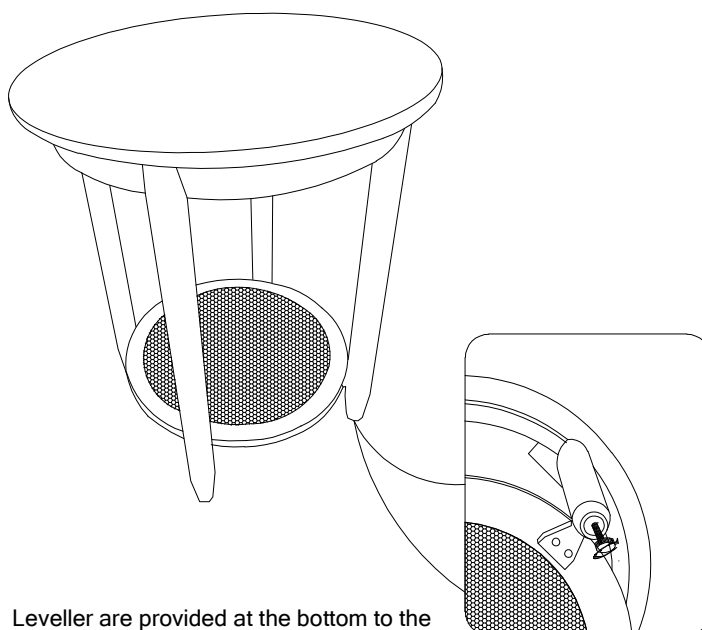
Attach to the 4 legs (B), adjust to the mount on the top(A), then attach the JCBC M6 x 40 (F) with washer (D) and spring washer (E), (tighten with allen key (G))

### STEP - 3



Install the shelf (C) on the legs according to the hole in the leg, Install the JCBC M6 x 40 (F) along with the washer (D) and spring washer (E), (tighten with an allen key (G))

### COMPLETED



Leveller are provided at the bottom to the balance on uneven surface

**MADE IN INDONESIA**