





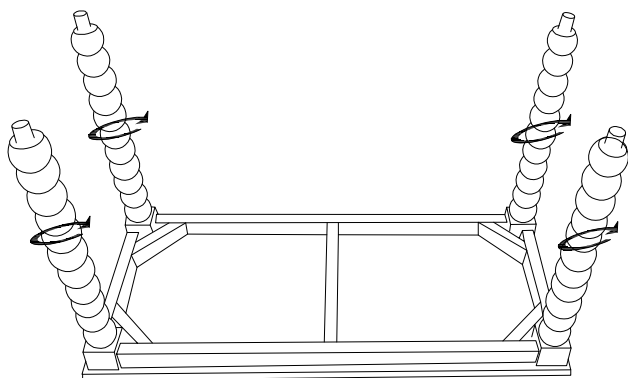
ASSEMBLY INSTRUCTIONS

CVFDR1025

PARTS

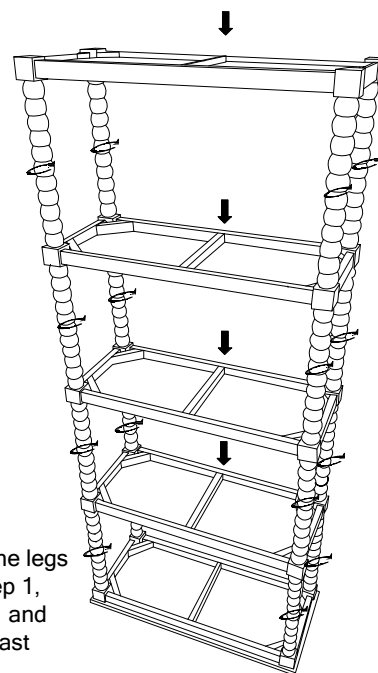
S.NO.	DESCRIPTION	QNT
A	 TOP	01
B	 LEGS	16
C	 SHELF	04
D	 LOWER LEGS	04

STEP - 1



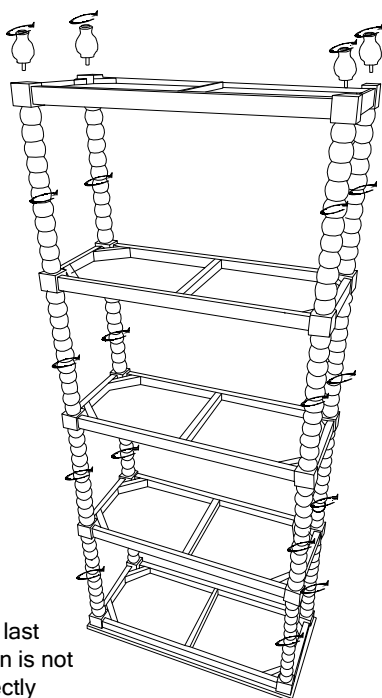
Place the Top (A) on the floor, attach the top legs (B) to the mounting holes on the top, make sure the installation is not tilted (at this step, don't tighten the top legs completely)

STEP - 2



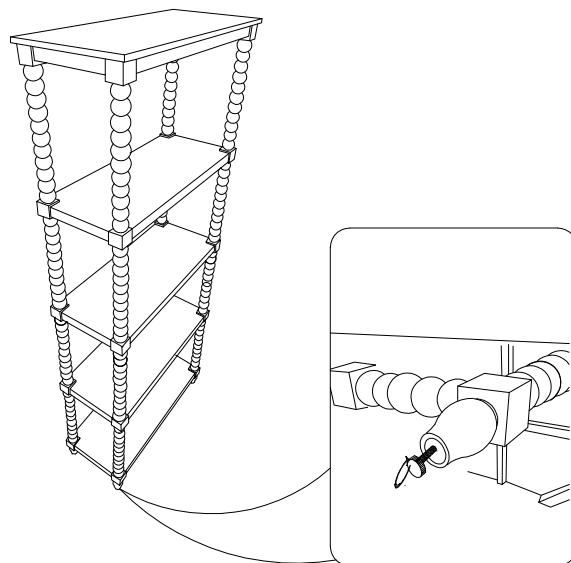
Install the shelf according to the legs that have been installed in step 1, then attach it again like step 1 and follow the next shelf until the last shelf

STEP - 3



Install the lower legs (D) on the last shelf, (make sure the installation is not tilted) , tighten all the legs perfectly

COMPLETED


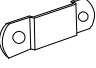
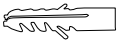




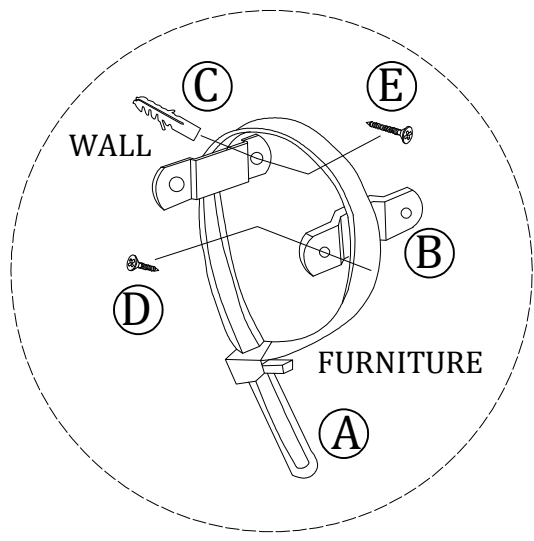
Leveller are provided at the bottom to the balance on uneven surface

MADE IN INDONESIA

ANTI - TIP KIT INSTALLATION INSTRUCTIONS

CVFDR1025_DISPLAY ETAGERE

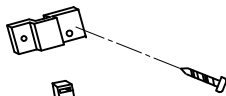
- A : 1X 
- B : 2X 
- C : 2X  S5
- D : 2X 
- E : 2X 



Anti-tip kit
bracket

Anti-tip
kit strap

Attach this
bracket to furniture

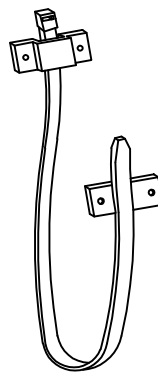


Attach this
bracket to wall

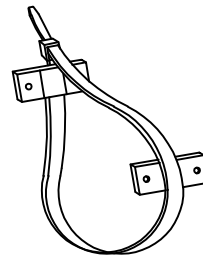
i



ii



iii



iv