


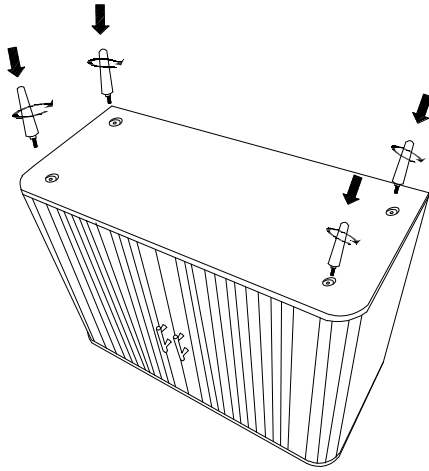
ASSEMBLY INSTRUCTIONS

CVFDR1040

PARTS

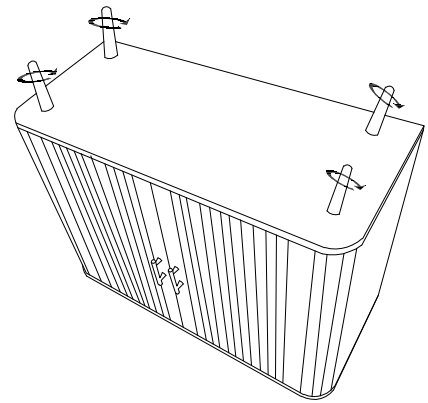
S.NO.	DESCRIPTION	QNT
A		LEGS 04

STEP - 1



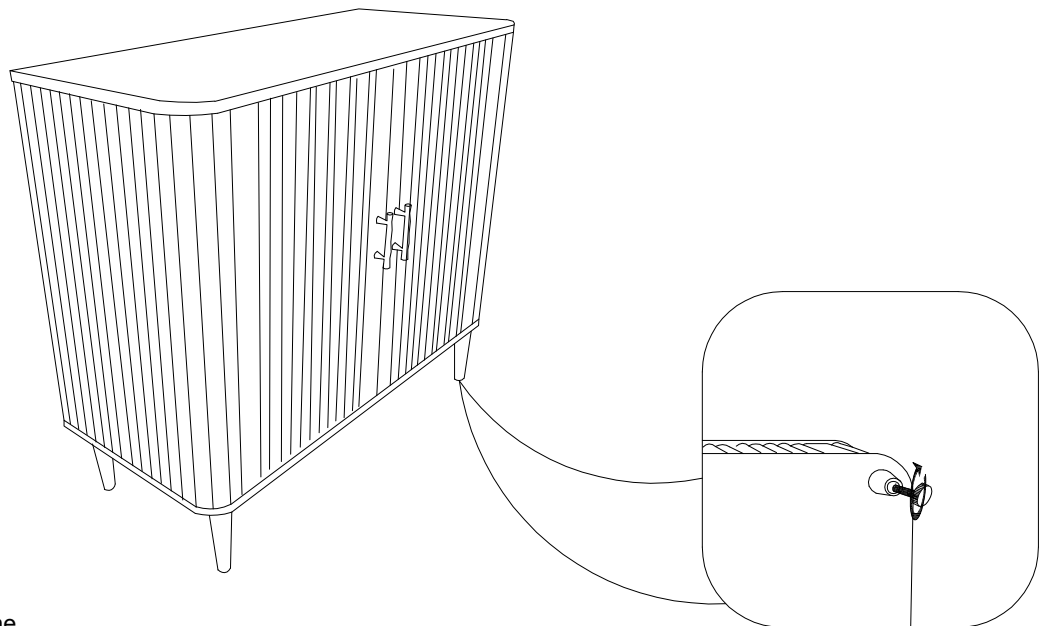
place the cabinet on the floor upside down and attach to the 4 legs (A)

STEP - 2



Fasten to 4 legs perfectly

COMPLETED




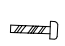

Leveller are provided at the bottom to the balance on uneven surface

MADE IN INDONESIA

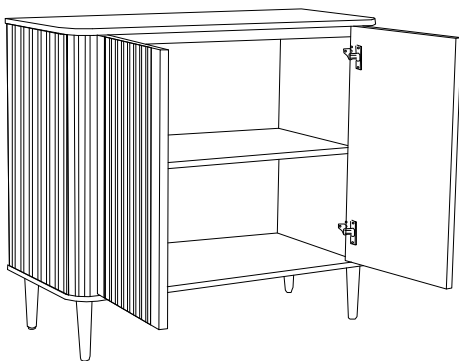
ASSEMBLY INSTRUCTIONS HARDWARE

CVFDR1040

PARTS

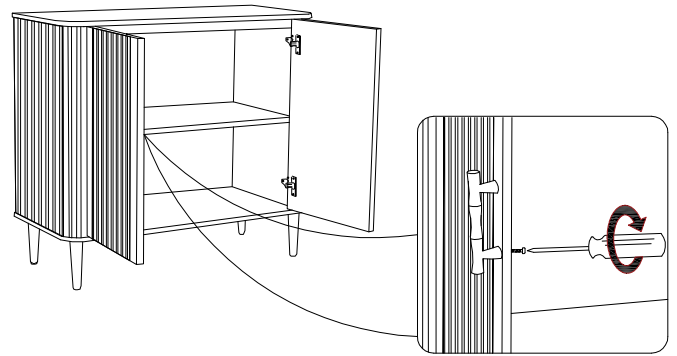
S.NO.	DESCRIPTION	QNT
A	 HANDLE	02
B	 SCREW 	04

STEP - 1



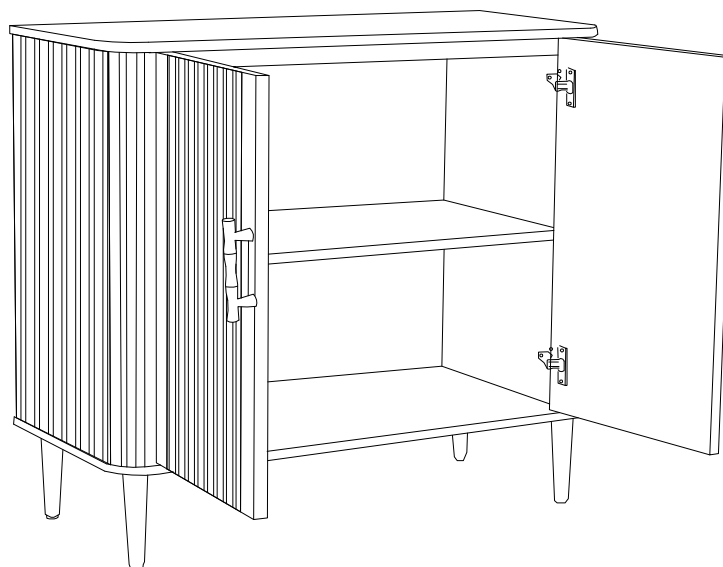
Open the door before the handle is released, by pulling the tape on the door

STEP - 2



Install the handle on the outside of the door, then tie it with a screw and tighten it with a screwdriver


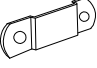
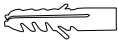


COMPLETED

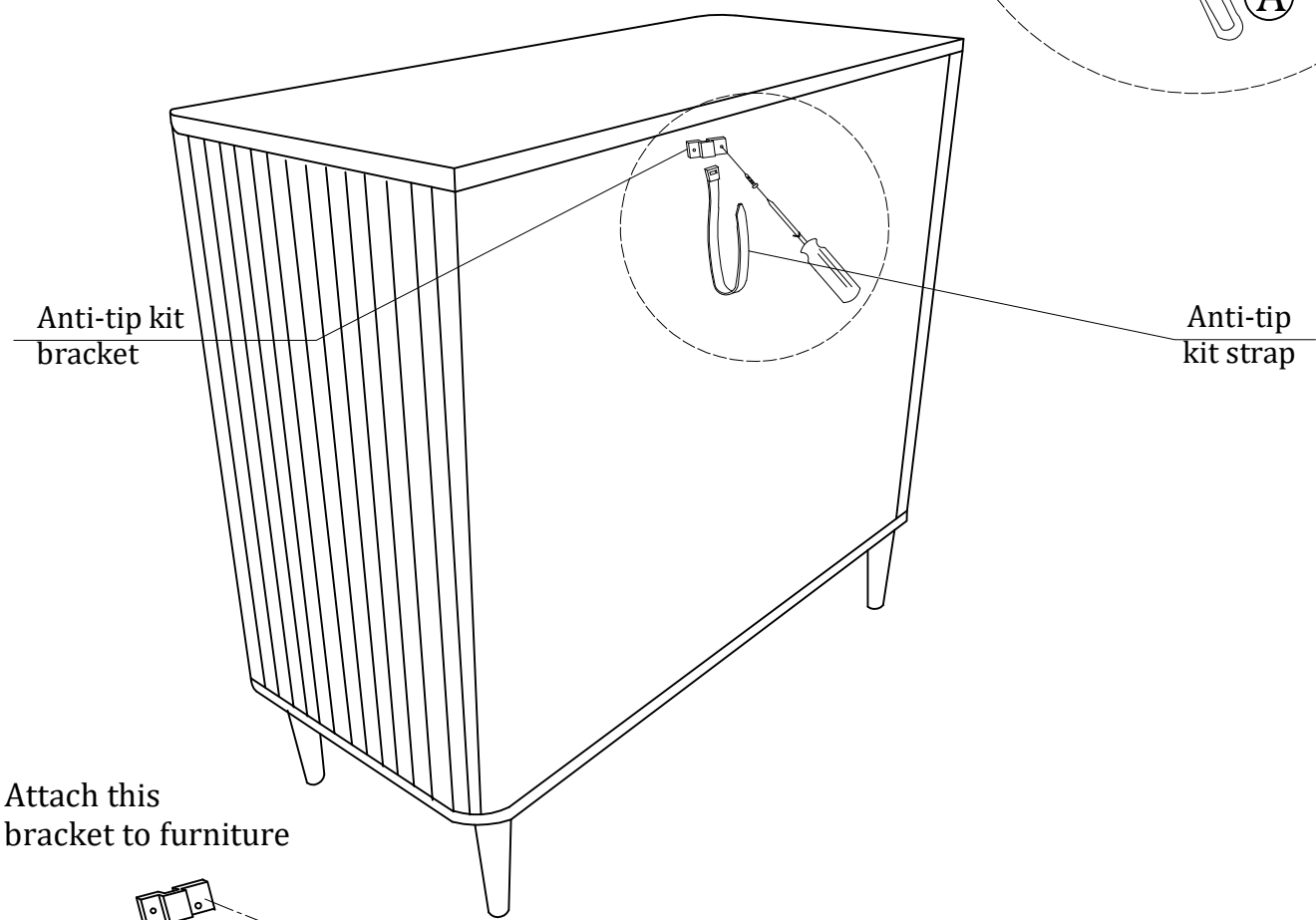
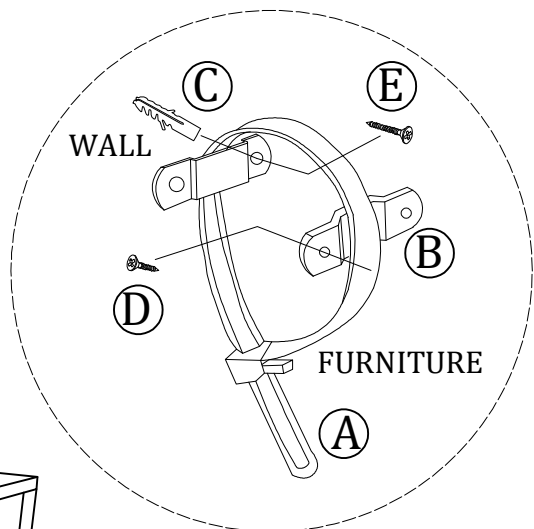


MADE IN INDONESIA

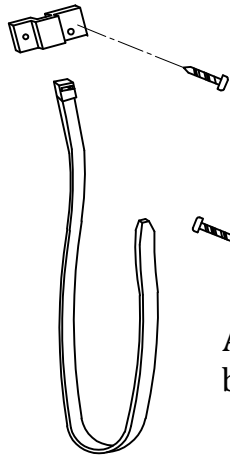
ANTI - TIP KIT INSTALLATION INSTRUCTIONS

CVFDR1040_BLACK 2 DOOR CABINET

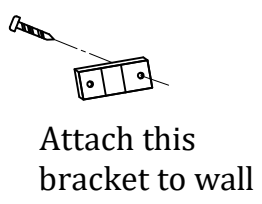
- A : 1X 
- B : 2X 
- C : 2X  S5
- D : 2X 
- E : 2X 



Attach this bracket to furniture



i

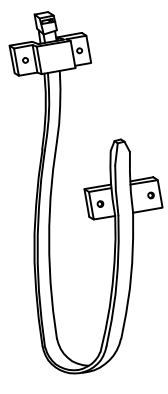


Attach this bracket to wall

ii



iii



iv

