

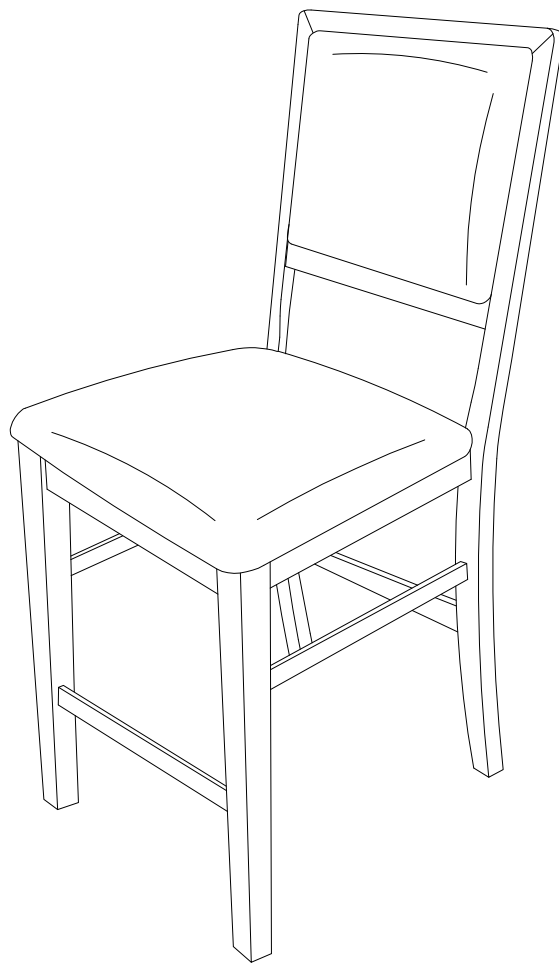
# CROSLEY

---

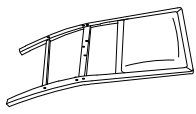
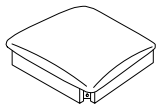
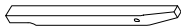
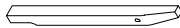
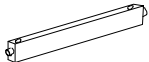
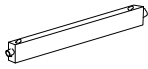
FURNITURE

## Upholstered Counter Stool






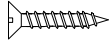

CF501326



# PART LIST

				
<p>Back Panel 2 PCS</p>	<p>Seat Panel 2 PCS</p>	<p>Left Front Leg 2 PCS</p>	<p>Right Front Leg 2 PCS</p>	<p>Front Stretcher 2 PCS</p>
				
<p>Side Stretcher 4 PCS</p>				

# HARDWARE LIST

 <p>M6 X 80mm</p>	 <p>M6 X 60mm</p>	 <p>M6 X 40mm</p>		
<p>Long Bolt 8 PCS (Extra 1)</p>	<p>Medium Bolt 8 PCS (Extra 1)</p>	<p>Short Bolt 4 PCS (Extra 1)</p>	<p>Spring Washer 20 PCS (Extra 1)</p>	<p>Flat Washer 20 PCS (Extra 1)</p>
 <p>4 X 38mm</p>				
<p>Screw 12 PCS (Extra 1)</p>	<p>Allen Wrench 1 PC</p>			

## ADDITIONAL TOOLS (Not Provided)

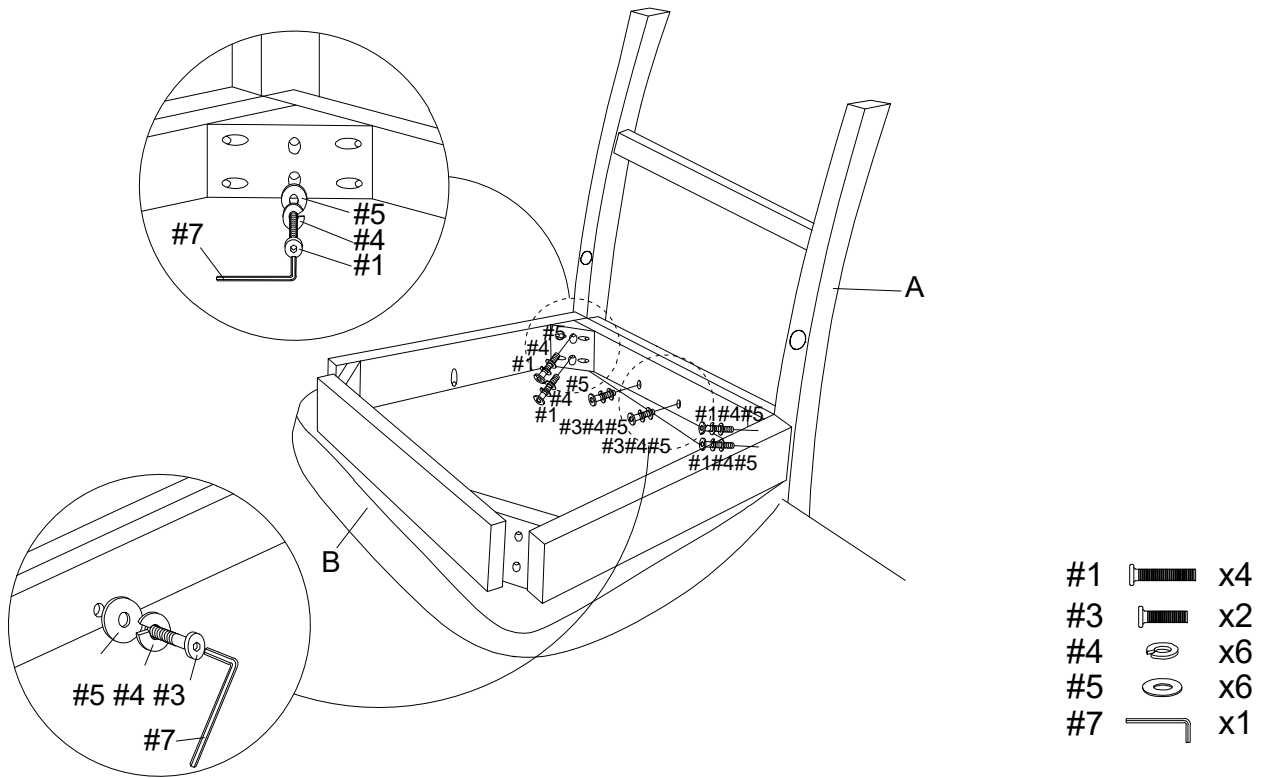
Note: It is not recommended to use power tools during assembly.



Phillips Head Screwdriver

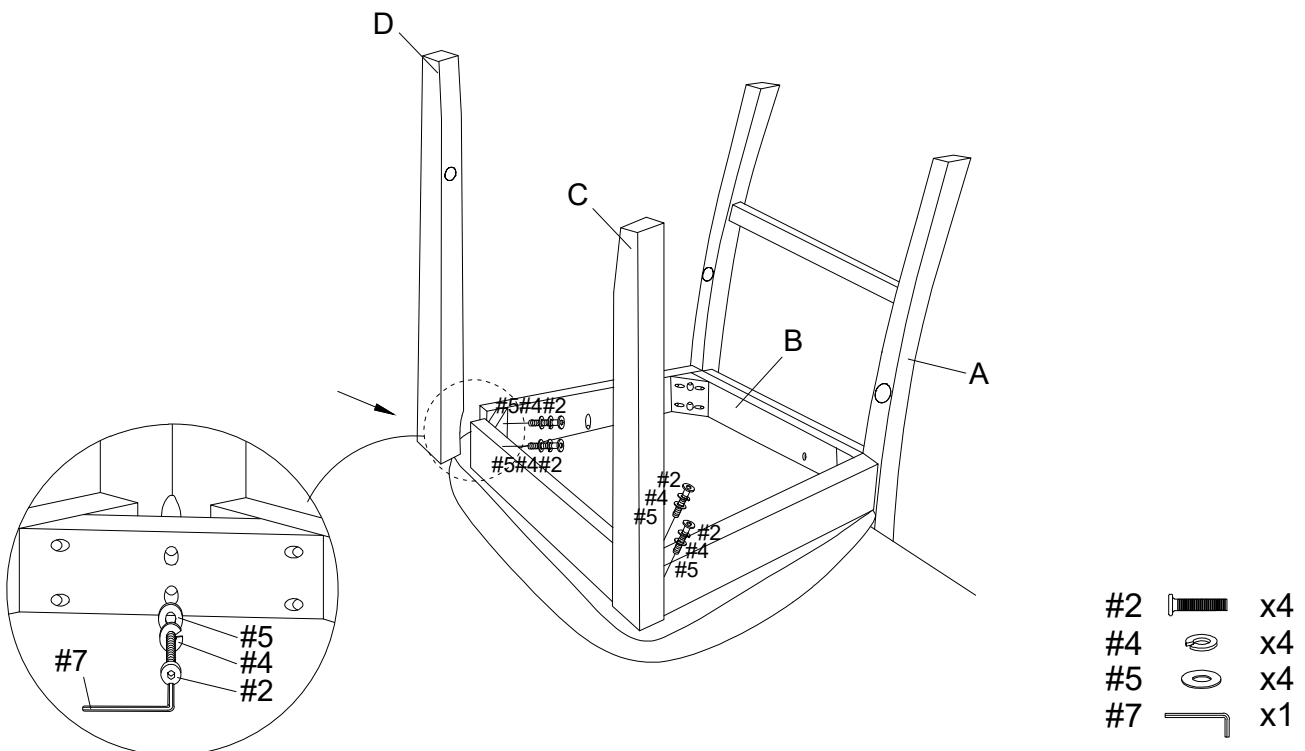
Step 1 . Attach seat panel (part B) to back panel (part A) using long bolts (part #1), short bolts (part #3), spring washers (part #4), flat washers (part #5) and allen wrench (part #7).

NOTE: Please do not fully tighten bolts until unit is fully assembled.

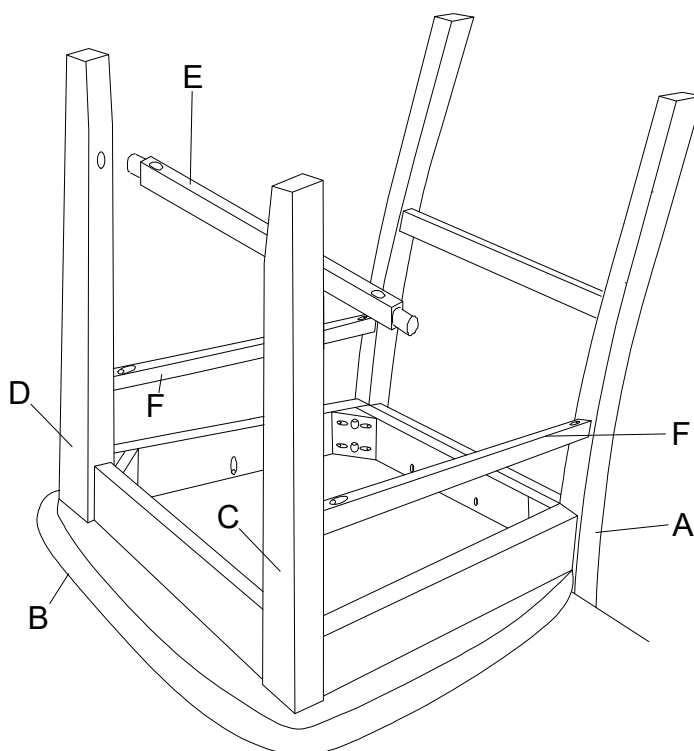


Step 2 . Attach left front leg (part C) and right front leg (part D) to seat panel (part B) using medium bolts (part #2), spring washers (part #4), flat washers (part #5) and allen wrench (part #7).

NOTE: Please do not fully tighten bolts until unit is fully assembled.

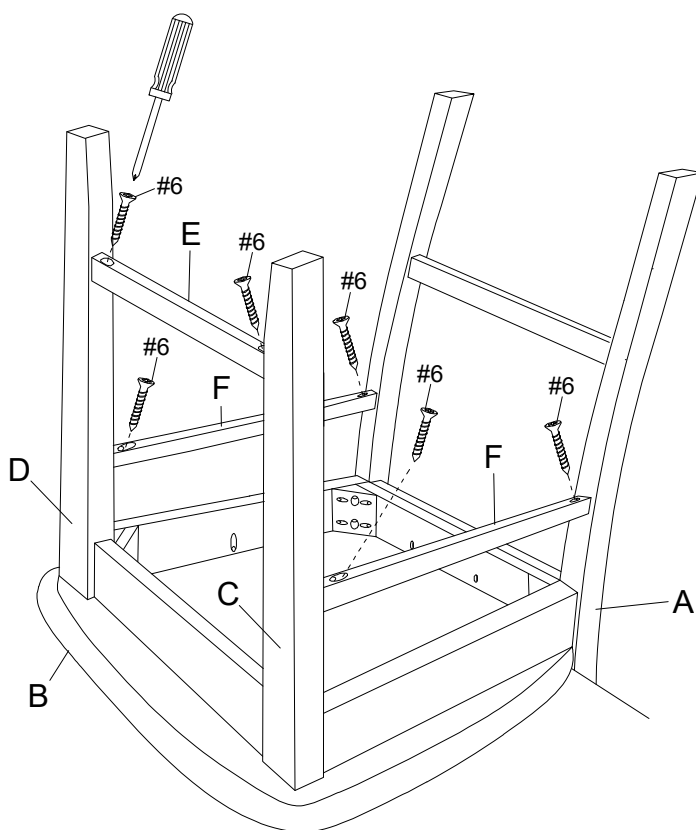


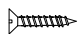
Step 3. Insert front stretcher (part E) and side stretchers (part F) into assembled unit (parts A, C & D).



Step 4. Tighten front stretcher (part E) and side stretchers (part F) using screws (part #6) and phillips head screwdriver.

NOTE: Please fully tighten all bolts at this time.



#6  x6

Step 5. Carefully turn unit upright. Repeat steps 1-5 to assemble remaining stool.

