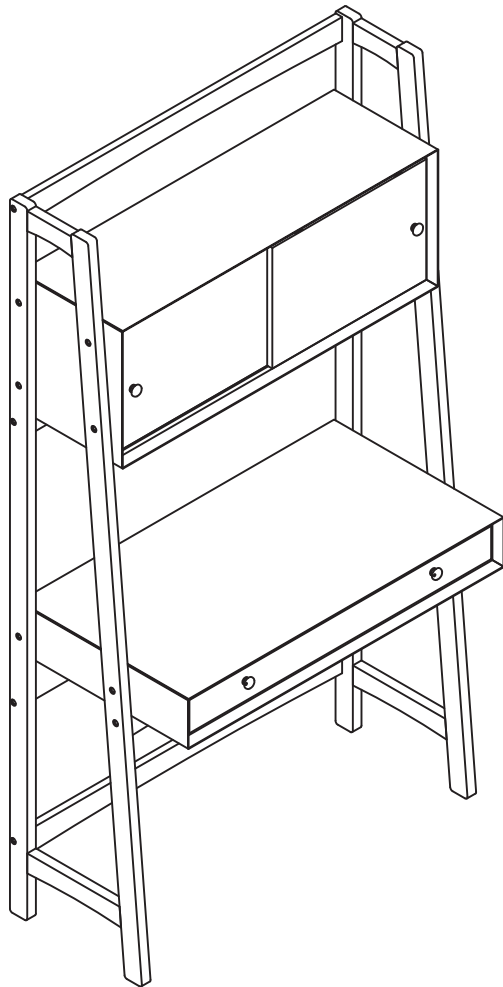







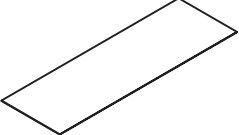
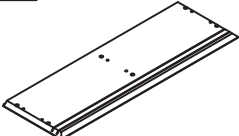
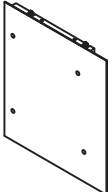
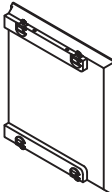
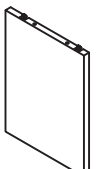
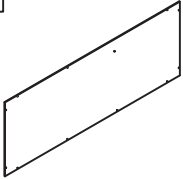
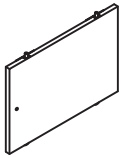
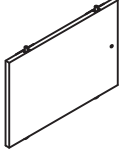
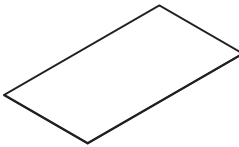
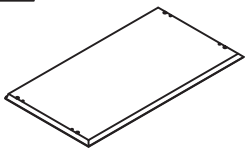
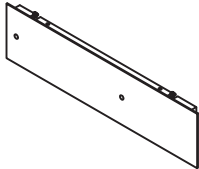
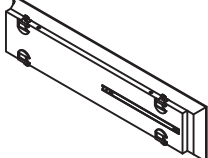
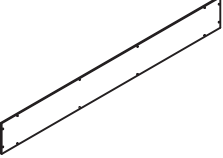
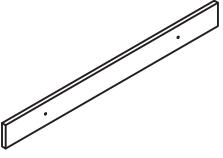
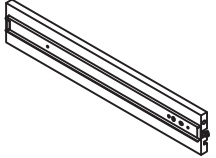
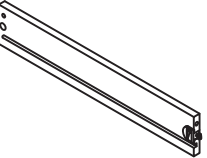
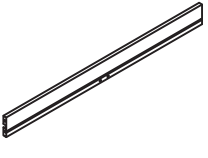
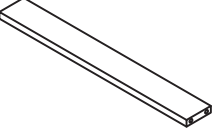
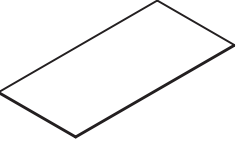
CROSLEY

FURNITURE




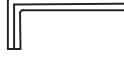




Wall Desk CF6511



PART LIST

<p>A</p> 	<p>B</p> 	<p>C</p> 	<p>D</p> 	<p>E</p> 
<p>Left Side Frame 1 PC</p>	<p>Right Side Frame 1 PC</p>	<p>Connecting Rail 3 PCS</p>	<p>Support Rail of Cabinet 1 PC</p>	<p>Support Rail of Desk 1 PC</p>
<p>F</p> 	<p>G</p> 	<p>H</p> 	<p>I</p> 	<p>J</p> 
<p>Top Panel of Cabinet 1 PC</p>	<p>Bottom Panel of Cabinet 1 PC</p>	<p>Left Side Panel of Cabinet 1 PC</p>	<p>Right Side Panel of Cabinet 1 PC</p>	<p>Partition Panel of Cabinet 1 PC</p>
<p>K</p> 	<p>L</p> 	<p>M</p> 	<p>N</p> 	<p>O</p> 
<p>Back Panel of Cabinet 1 PC</p>	<p>Left Door Panel of Cabinet 1 PC</p>	<p>Right Door Panel of Cabinet 1 PC</p>	<p>Top Panel of Desk 1 PC</p>	<p>Bottom Panel of Desk 1 PC</p>
<p>P</p> 	<p>Q</p> 	<p>R</p> 	<p>S</p> 	<p>T</p> 
<p>Left Side Panel of Desk 1 PC</p>	<p>Right Side Panel of Desk 1 PC</p>	<p>Back Panel of Desk 1 PC</p>	<p>Front of Drawer 1 PC</p>	<p>Left Side Panel of Drawer 1 PC</p>
<p>U</p> 	<p>V</p> 	<p>W</p> 	<p>X</p> 	
<p>Right Side Panel of Drawer 1 PC</p>	<p>Back Panel of Drawer 1 PC</p>	<p>Bottom Rail of Drawer 1 PC</p>	<p>Bottom Panel of Drawer 1 PC</p>	

HARDWARE LIST

	 Ø6x30		 M4	
Safety Strap Kit 1 PC	Small Wood Dowel 26 PCS (Extra 1)	Allen Bolt 24 PCS (Extra 1)	Allen Wrench 1 PC	Screw 24 PCS (Extra 1)
		 Ø8x30		
Knob 4 PCS	Round Head Bolt 4 PCS	Large Wood Dowel 12 PCS (Extra 1)		

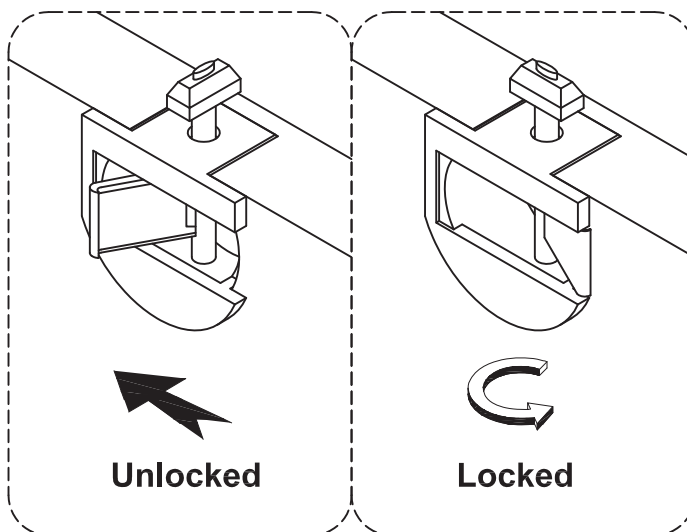
ADDITIONAL TOOLS (Not Provided)

Note: It is not recommended to use power tools during assembly.



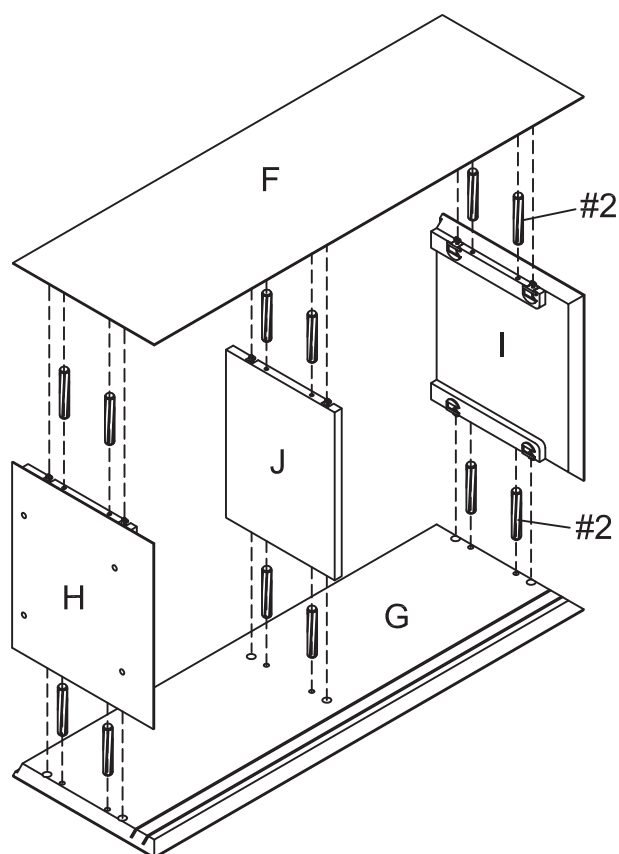
Phillips Head Screwdriver

Please do not use tools to assemble this unit unless specifically indicated.



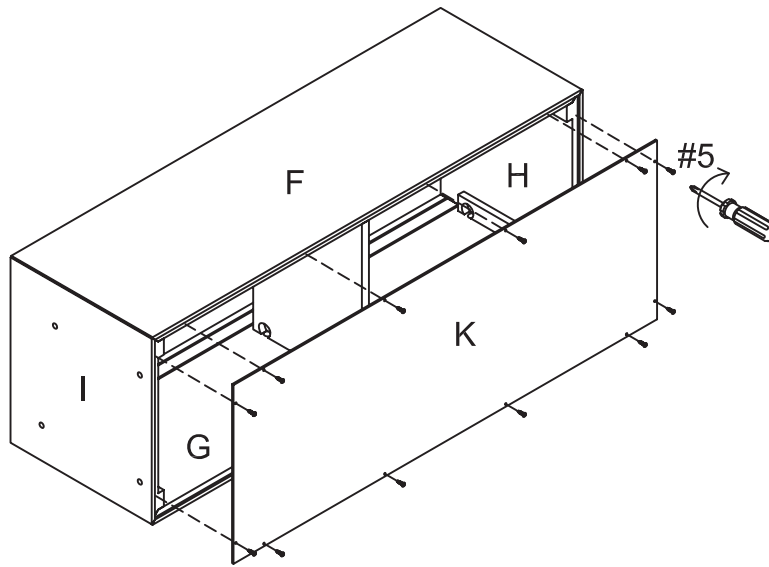
Reference the images above any time the instructions state "lock the hardware".
Note: Be sure to check all hardware is locked when completed.

Step 1. Attach left side panel of cabinet (part H), partition panel of cabinet (part J) and right side panel of cabinet (part I) to top panel of cabinet (part F) and bottom panel of cabinet (part G) using small wood dowels (part #2) and lock the hardware.



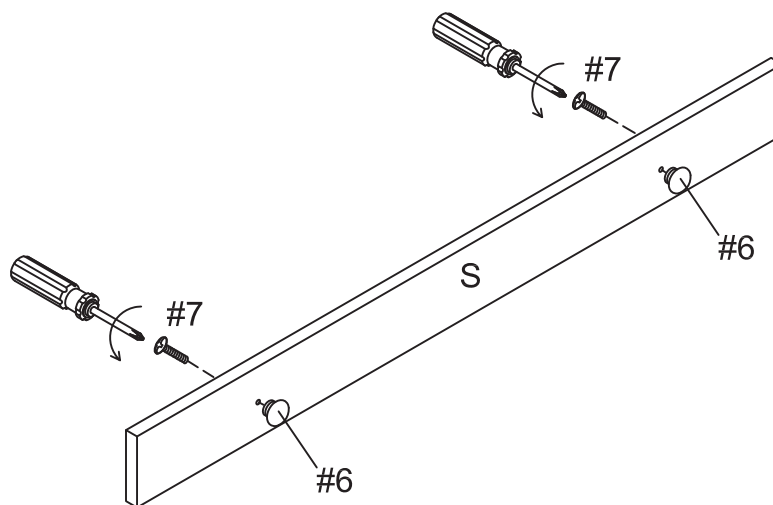
#2  x 12

Step 2. Carefully turn unit around and attach back panel of cabinet (part K) to top panel of cabinet (part F), left side panel of cabinet (part H), right side panel of cabinet (part I) and bottom panel of cabinet (part G) using screws (part #5) and phillips head screwdriver.



#5  x 12

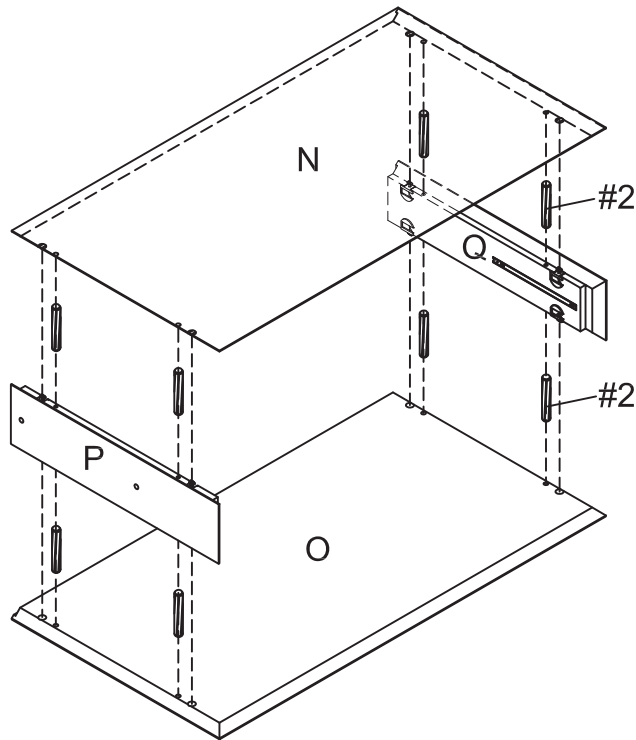
Step 3. Attach knobs (part #6) to front of drawer (part S) using round head bolts (part #7) and phillips head screwdriver.



#6  x 2

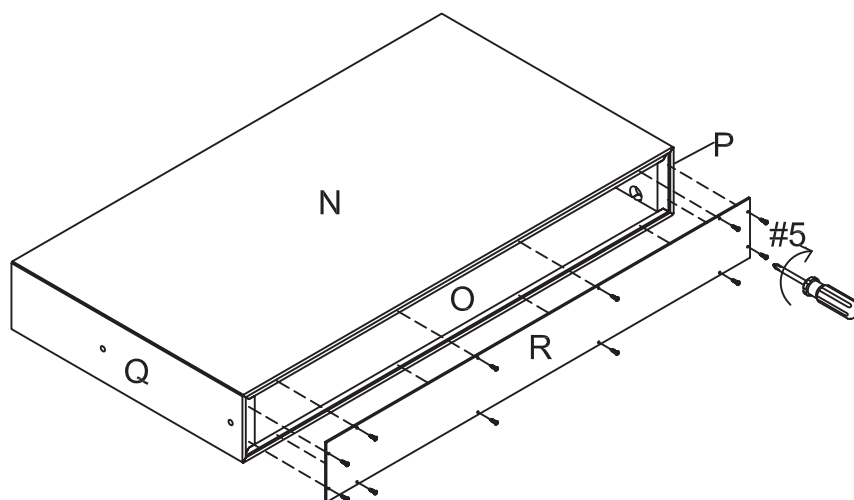
#7  x 2

Step 4. Attach left side panel of desk (part P) and right side panel of desk (part Q) to top panel of desk (part N) and bottom panel of desk (part O) using small wood dowels (part #2) and lock the hardware.



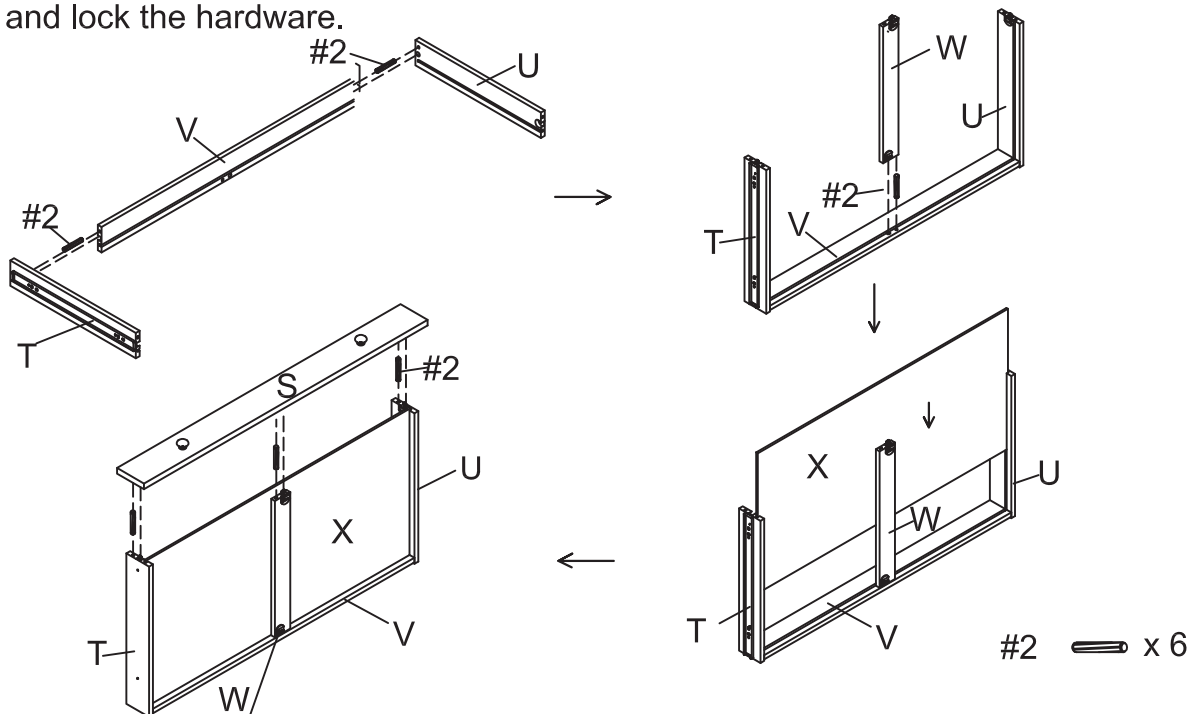
#2  x 8

Step 5. Carefully turn unit around and attach back panel of desk (part R) to left side panel of desk (part P), right side panel of desk (part Q), top panel of desk (part N) and bottom panel of desk (part O) using screws (part #5) and phillips head screwdriver.



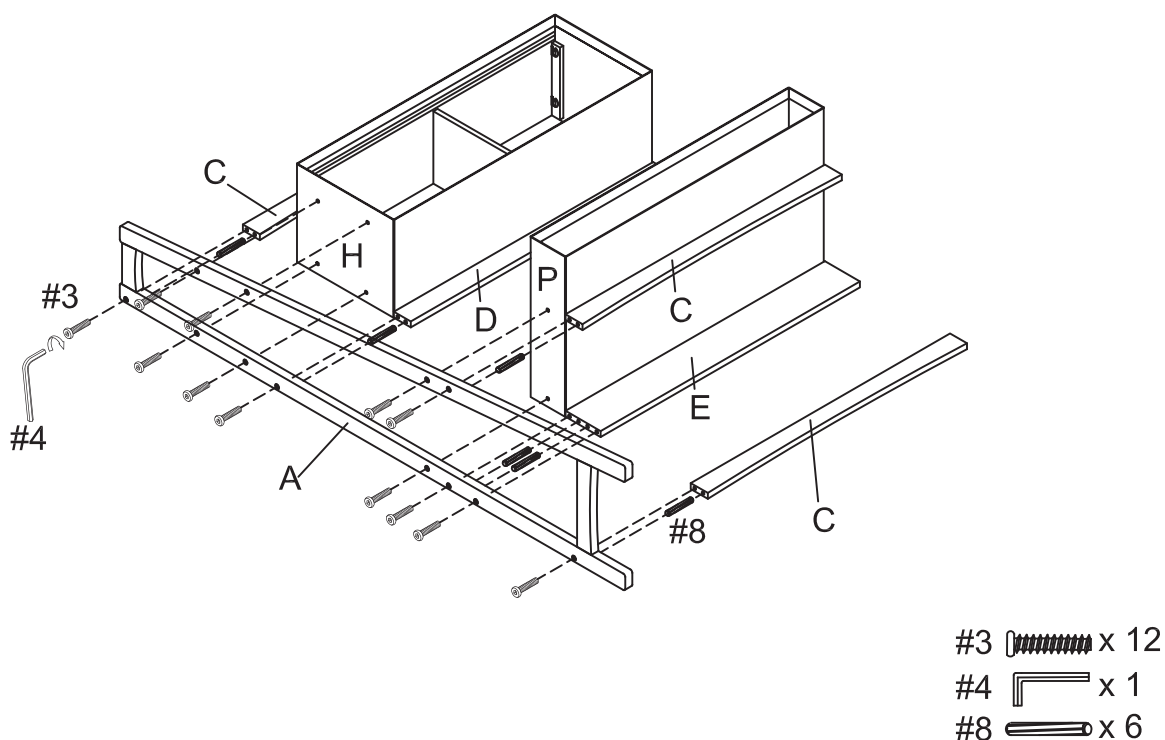
#5  x 12

Step 6. Attach left side panel of drawer (part T) and right side panel of drawer (part U) to back panel of drawer (part V) using small wood dowels (part #2) and lock the hardware. Attach bottom rail of drawer (part W) to back panel of drawer (part V) using small wood dowel (part #2) and lock the hardware. Slide bottom panel of drawer (part X) into the grooves of left side panel of drawer (part T) and right side panel of drawer (part U). Attach front of drawer (part S) to left side panel of drawer (part T), bottom rail of drawer (part W) and right side panel of drawer (part U) using small wood dowels (part #2) and lock the hardware.



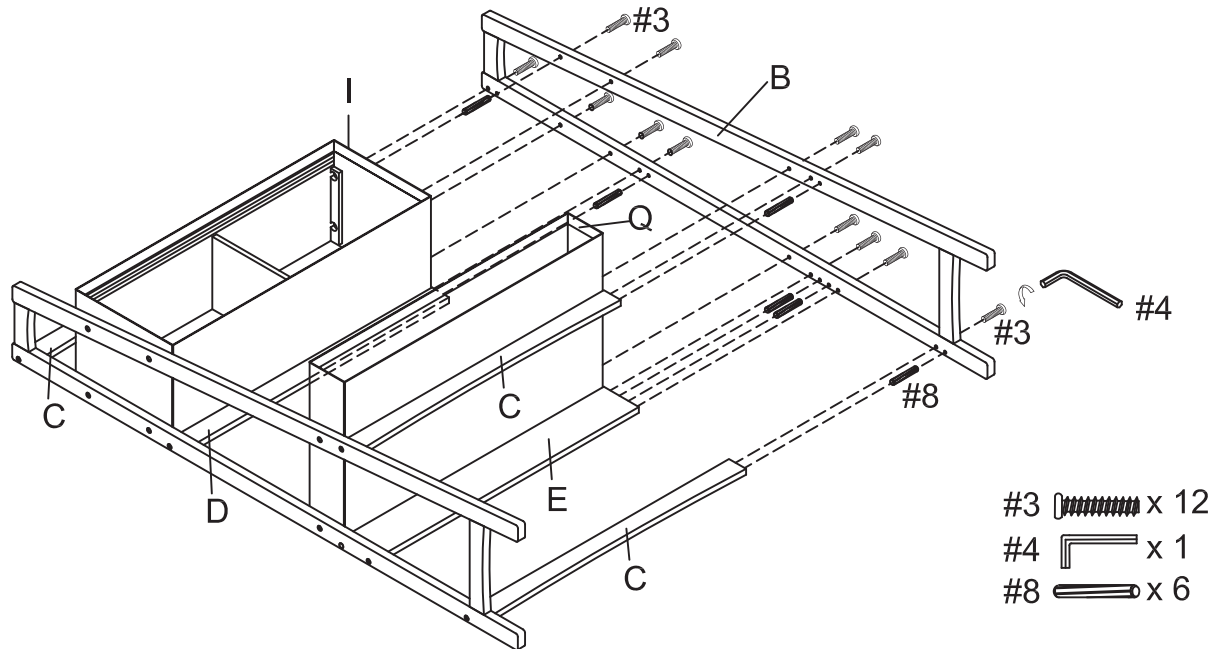
Step 7. Attach connecting rails (part C), left side panel of cabinet (part H), support rail of cabinet (part D), left side panel of desk (part P), support rail of desk (part E) to left side frame (part A) using large wood dowels (part #8), allen bolts (part #3) and allen wrench (part #4).

Note: Do not completely tighten all allen bolts, until later on.



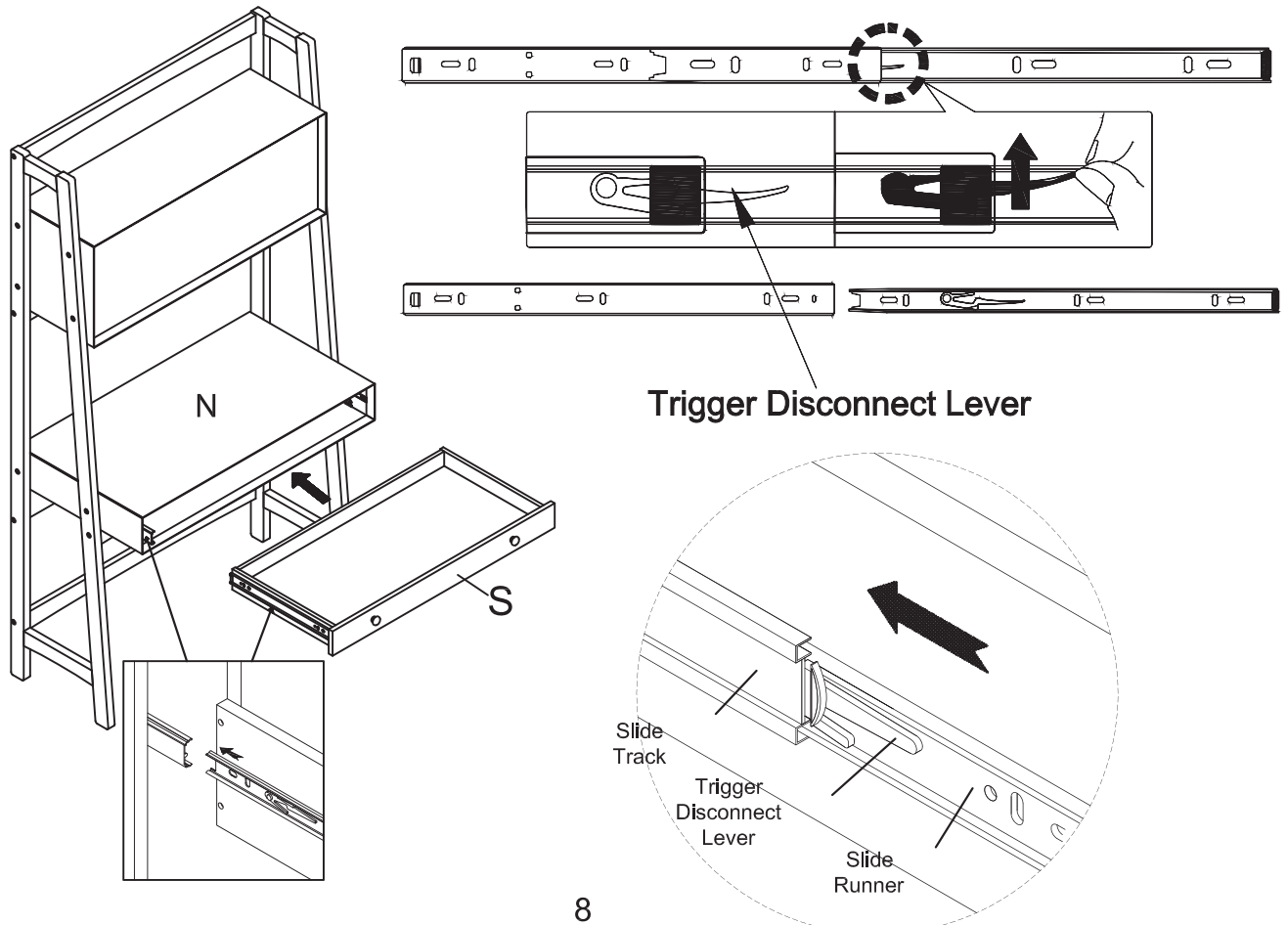
Step 8. Attach connecting rails (part C), right side panel of cabinet (part I), support rail of cabinet (part D), right side panel of desk (part Q), support rail of desk (part E) to right side frame (part B) using large wood dowels (part #8), allen bolts (part #3) and allen wrench (part #4).

Note: Make sure all allen bolts are completely tightened.

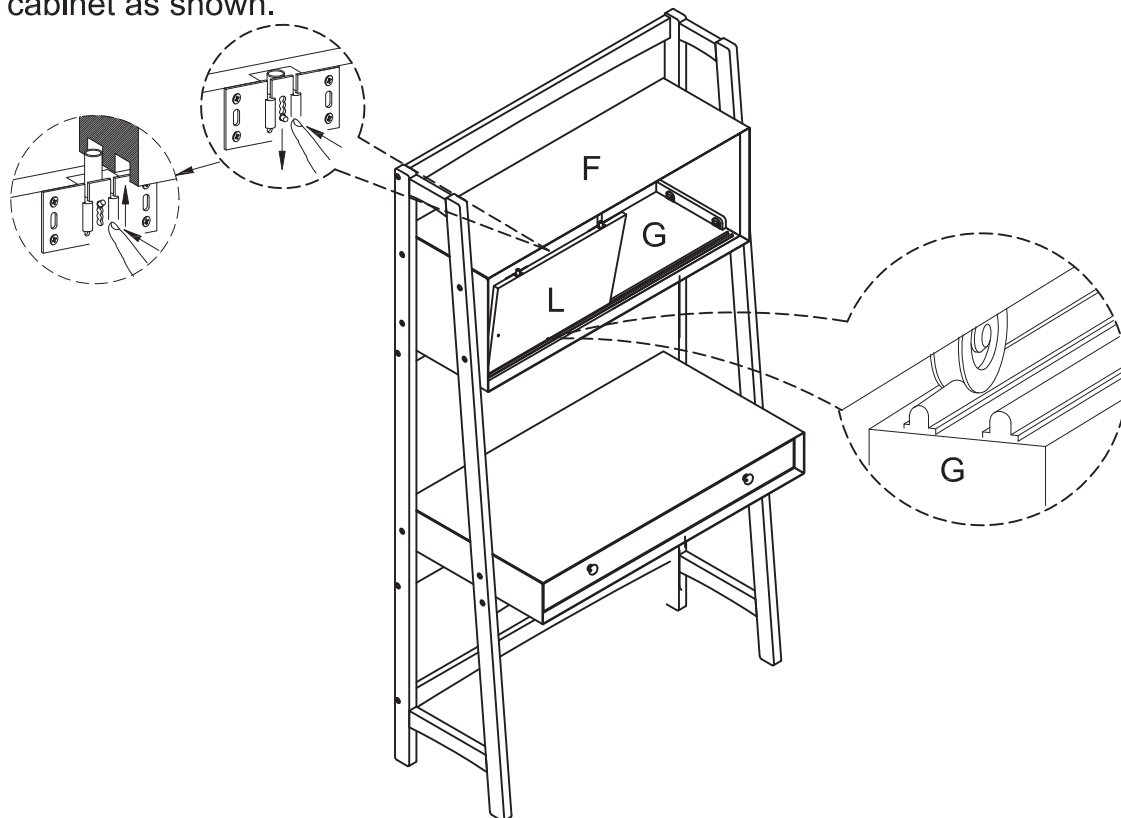


Step 9. Carefully turn the unit upright. Insert drawer into desk box.

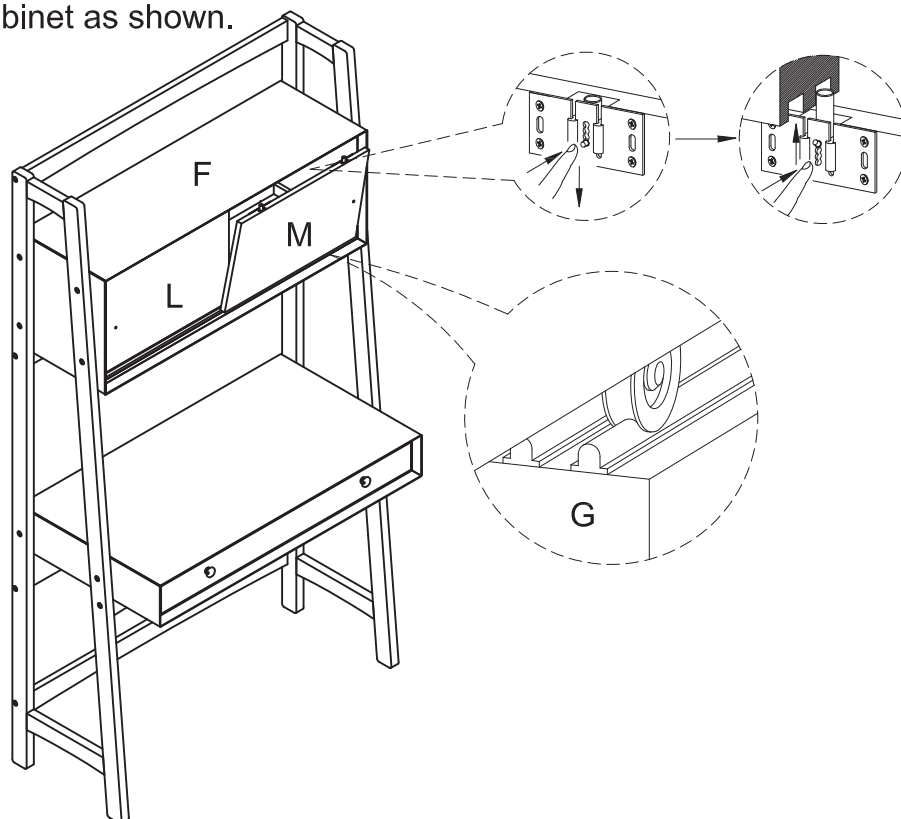
Note: To release trigger disconnect levers push one side up and the other down.



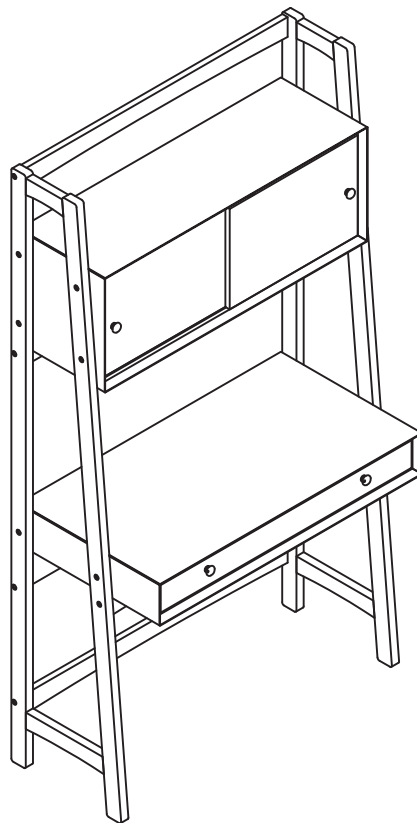
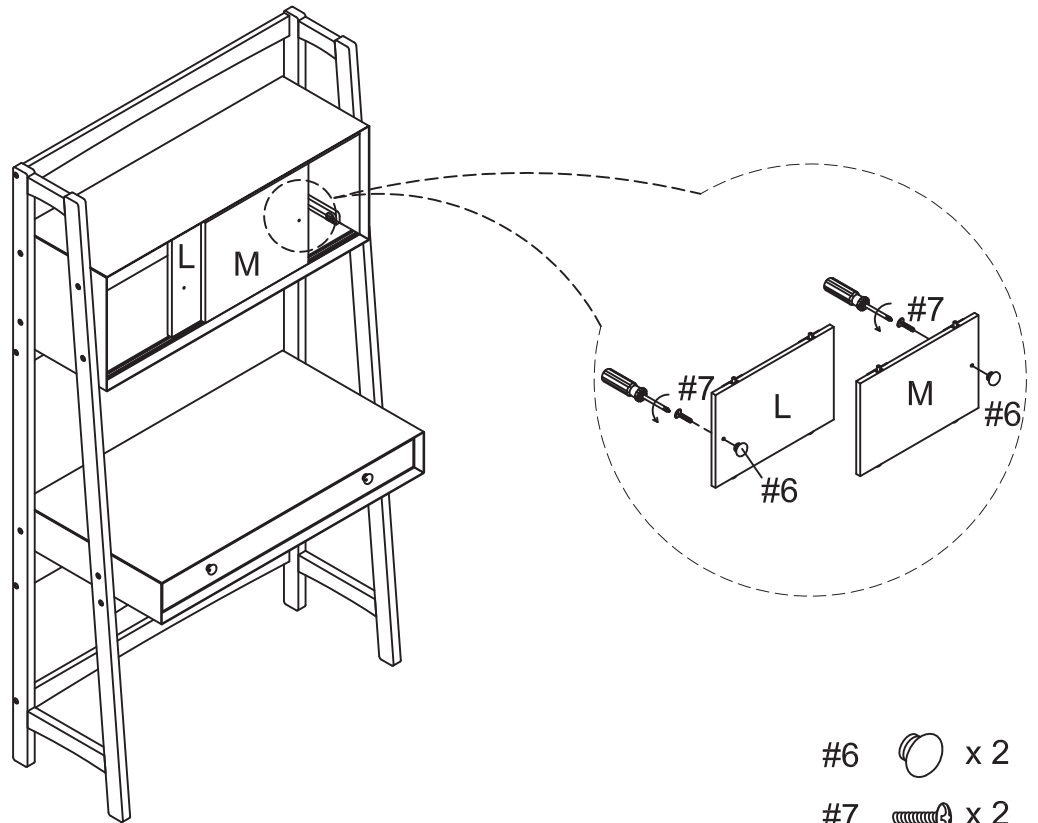
Step 10. Put the left door panel of cabinet (part L) on the inner runner of bottom panel of cabinet (part G). Press the upper door pins on left door panel of cabinet (part L) down and hold the pins next to the inner groove of top panel of cabinet (part F) then release to make sure the left door panel of cabinet (part L) is attached to pre-assembled cabinet as shown.



Step 11. Put the right door panel of cabinet (part M) on the outer runner of bottom panel of cabinet (part G). Press the upper door pins on right door panel of cabinet (part M) down and hold the pins next to the outer groove of top panel of cabinet (part F) then release to make sure the right door panel of cabinet (part M) is attached to pre-assembled cabinet as shown.



Step 12. Attach knobs (part #6) to left door panel of cabinet (part L) and right door panel of cabinet (part M) using round head bolts (part #7) and phillips head screwdriver.

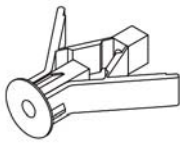


1



Safety Strap Kit
1 PC

A



Wall Anchor
A x 1 PC

B



Washer
B x 2 PCS

C



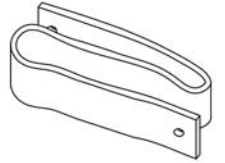
D8*3/4"
Short Screw
C x 1 PC

D



D8*1-1/2"
Long Screw
D x 1 PC

E



Safety Wall Strap
E x 1 PC

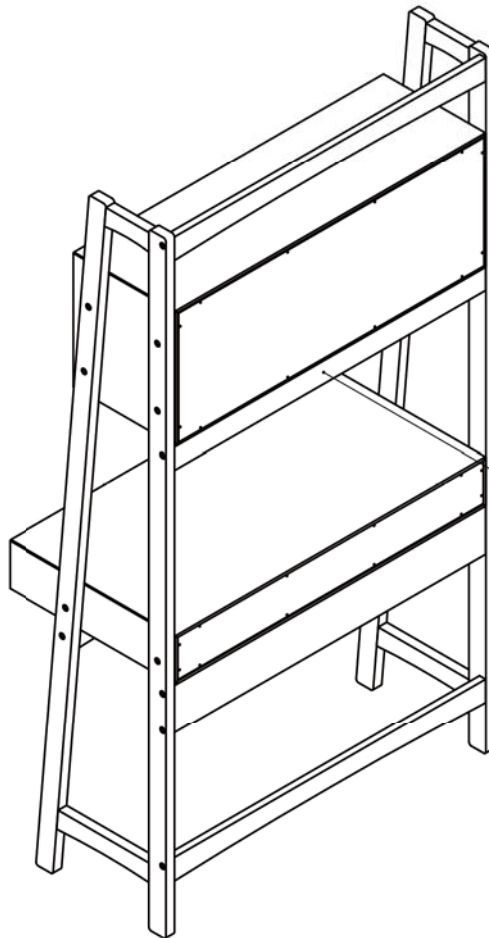
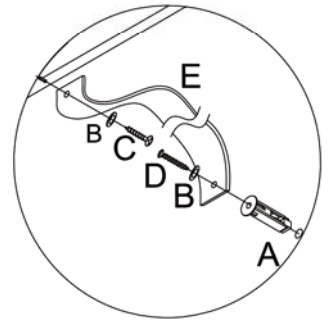
SAFETY STRAP WALL ASSEMBLY INSTRUCTION

1) Insert short screw (part C) through washer (part B) and safety wall strap (part E) and screw it into the top center of support rail of cabinet (part D).

2) Drill a 11/32" hole where you want to secure your unit. The hole should be at the same height as the hole in the top center of support rail of cabinet (part D). Tap wall anchor (part A) into the hole.

3) Insert long screw (part D) through a washer (part B) and safety wall strap (part E) into wall anchor (part A).

Note: This item is not intended for clothing storage use.



Wall

▲ WARNING



Children have died from furniture tipover. To reduce the risk of furniture tipover:

- ALWAYS install tipover restraint provided.
- NEVER put a TV on this product.
- NEVER allow children to stand, climb or hang on drawers, doors, or shelves.
- NEVER open more than one drawer at a time.
- Place heaviest items in the lowest drawers.

*This is a permanent label.
Do not remove!*

