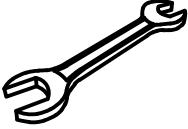





# ASSEMBLY INSTRUCTIONS

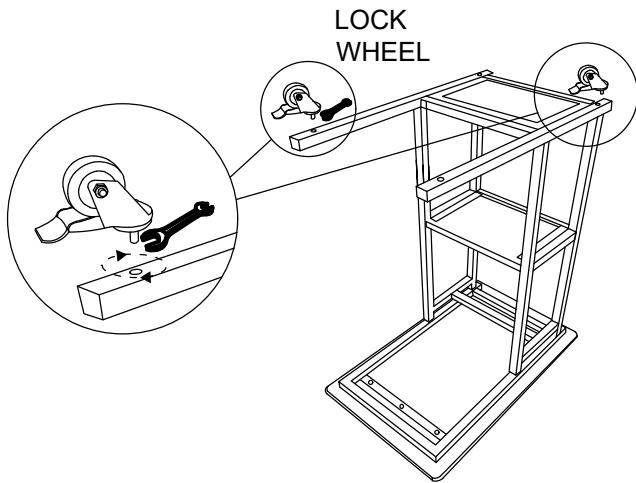
## EVFNR1152 - C-TABLE

### PARTS

NO.	HARDWARE LIST	QTY.	PARTS LIST	QTY.
1		1 PC	TABLE 	1 PC
			LOCK WHEEL 	2 PCS
			NORMAL WHEEL 	2 PCS

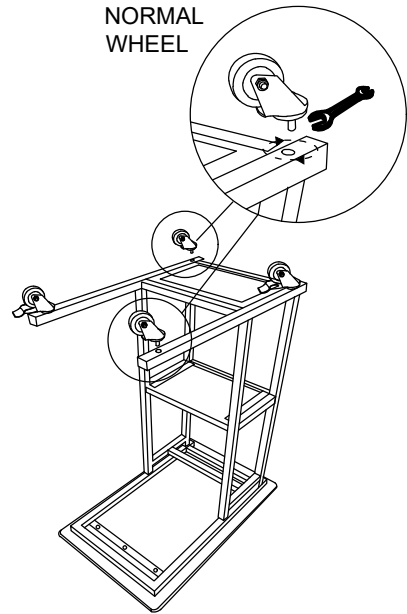
#### STEP 1

PLEASE PUT PRODUCT  
ON SAFE SURFACE

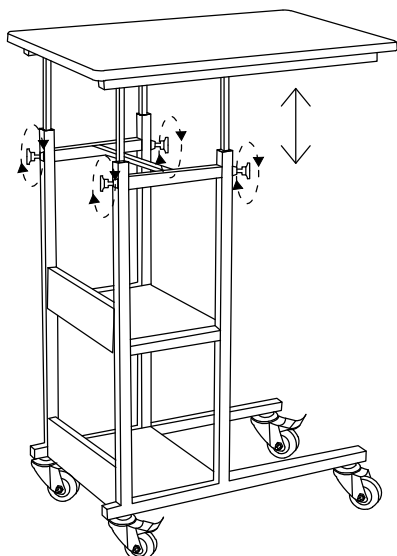


#### STEP 2

NORMAL  
WHEEL



#### MECHANISM OF ADJUSTABLE TOP



#### FINAL PRODUCT

