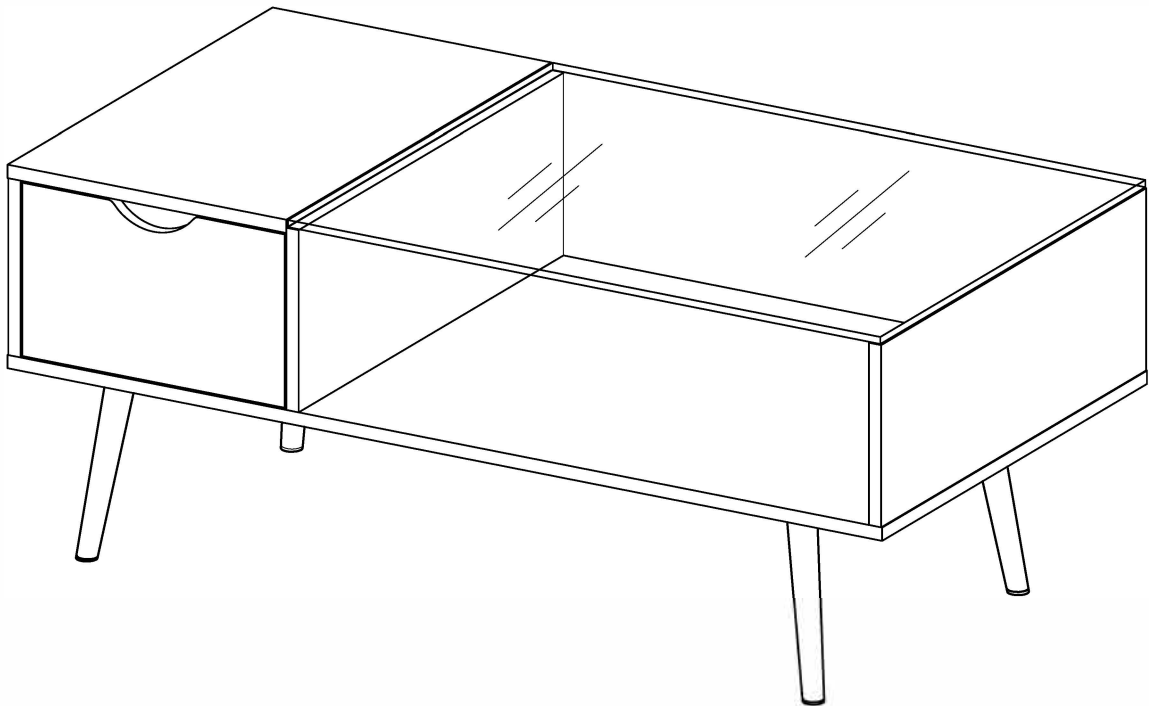


Item # : AF42JMGL
Assembly Instructions

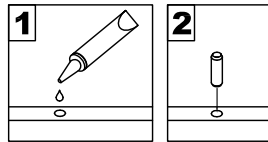


Please visit our website for the most current instructions, assembly tips, report damage, or request parts. www.walkeredison.com

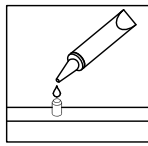
Revised 12/2017

General Assembly Guidelines

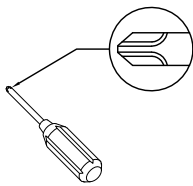
- I. Ensure that all parts and hardware are available before beginning assembly.
- II. Follow each step carefully to ensure the proper assembly of this product.
- III. Two people are recommended for ease in the assembly of this product.
- IV. The three main types of hardware used to assemble this product are : wood dowels , screws and bolts.
- V. The provided glue is to secure wood dowels in place . When first inserting dowels , locate the appropriate hole for the dowel , place a small amount of glue in the hole and insert the dowel . Wipe away excess glue immediately.



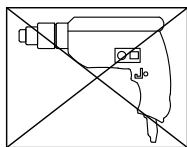
In future assembly steps when dowels are necessary to attach assembly parts together , place a small amount of glue on the end of the dowel before attaching parts together . Wipe away excess glue immediately.



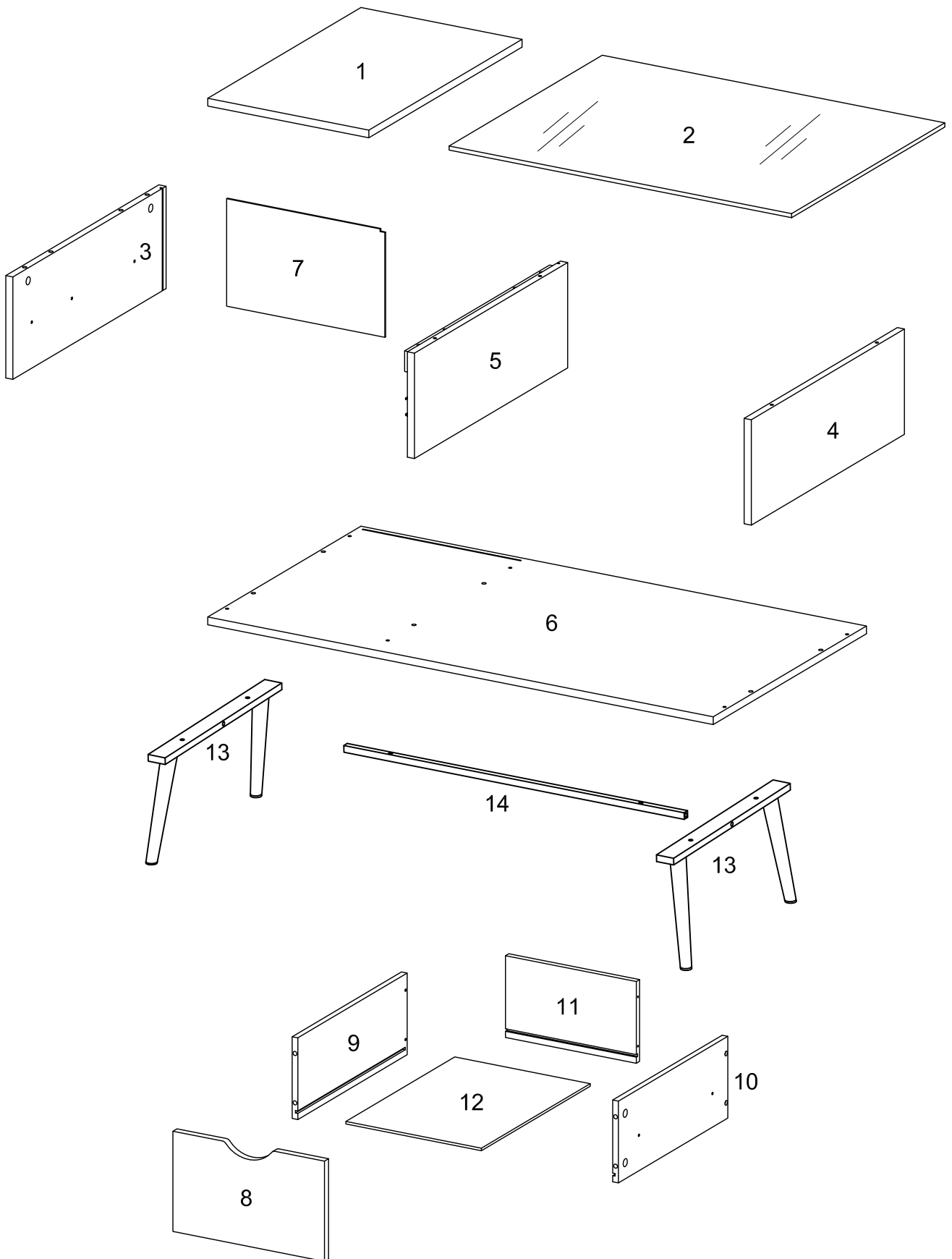
- VI. A Phillips head screwdriver is required for the assembly of this product .




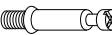






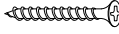
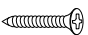



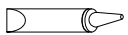

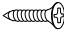
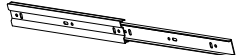
- VII. Power tools should not be used to assemble this product .



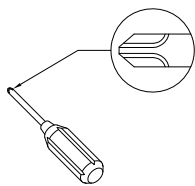
Parts List



Hardware List

A		Ø8x30mm	Wooden dowel	10 pcs
B		Ø6x35mm	Cam bolt	8 pcs
C		Ø15x11mm	Cam lock	4 pcs
D		Ø15x9.5mm	Cam lock	4 pcs
E		Ø6x60	Bolt	2 pcs
F		Ø6x24	Bolt	6 pcs
G			Washer	6 pcs
H		Ø6x50mm	Bolt	6 pcs
J		Ø4x32mm	Screw	4 pcs
K		Ø3x17mm	Screw	4 pcs
L			Plastic wedges	4 pcs
M		Ø30	Sticker	8 pcs
N		Ø4mm	Wrench	1 pc
P			Glue tube	1 pc
Q			Rubber suction cups	4 pcs
R		Ø3x12mm	Screw	10 pcs
S			Drawer slider	1 sets

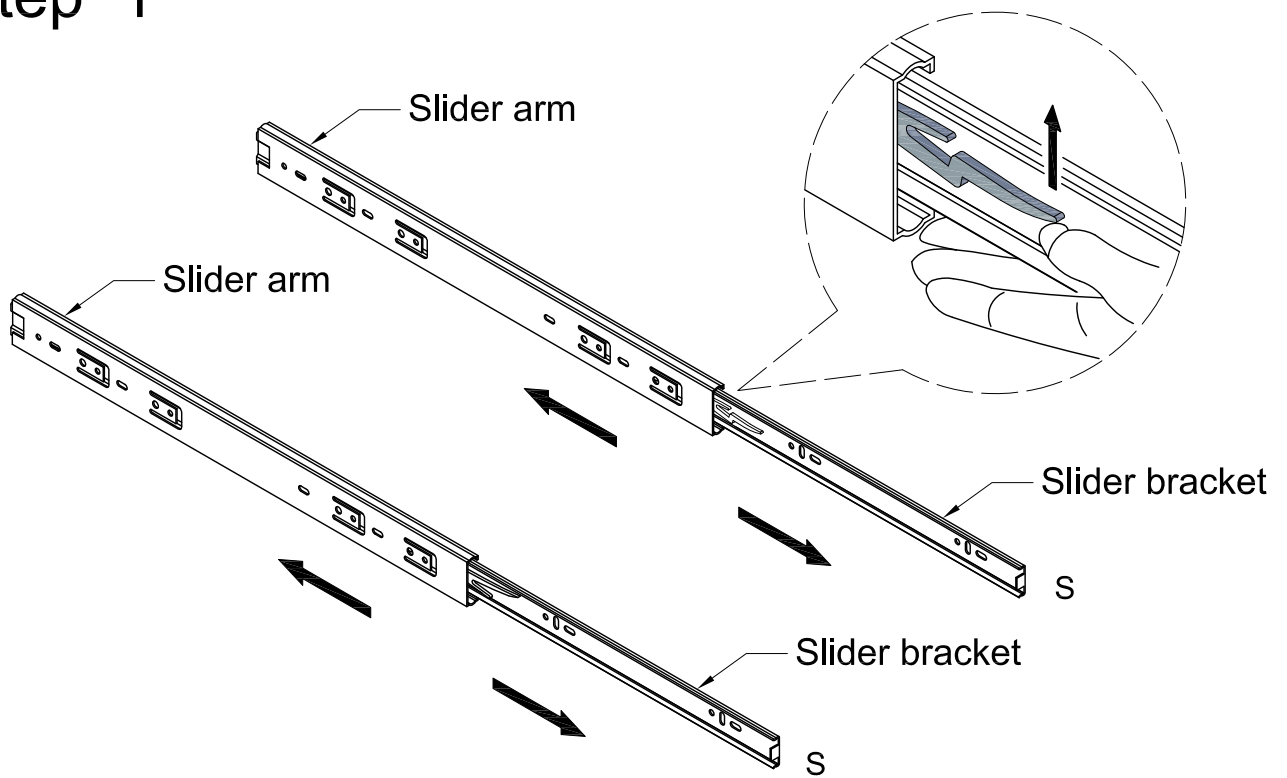
* Note: This piece comes preassembled for shipping purposes and must be disassembled to complete assembly.



Philips head screwdriver required for assembly
(not included)

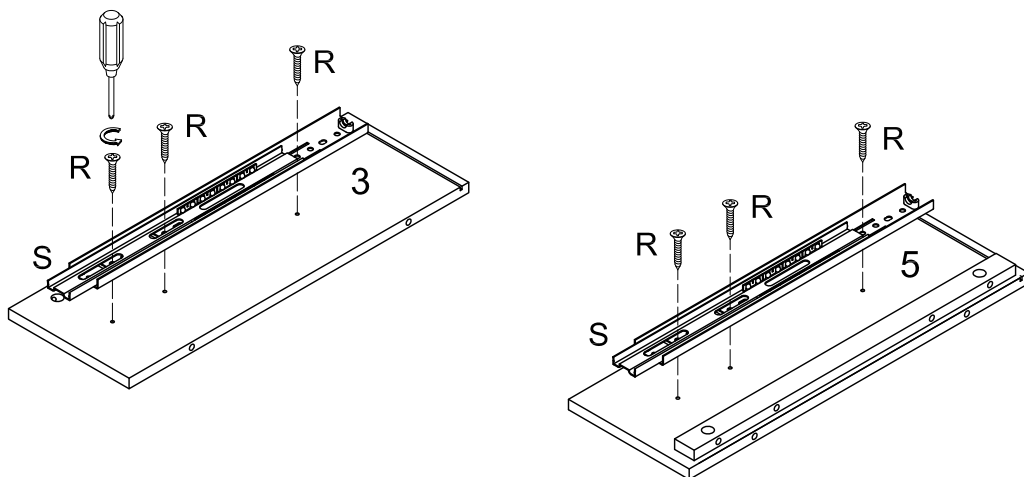
*The hardware quantities listed above are required for proper assembly.
Some extra hardware may also have been included.*

Step 1



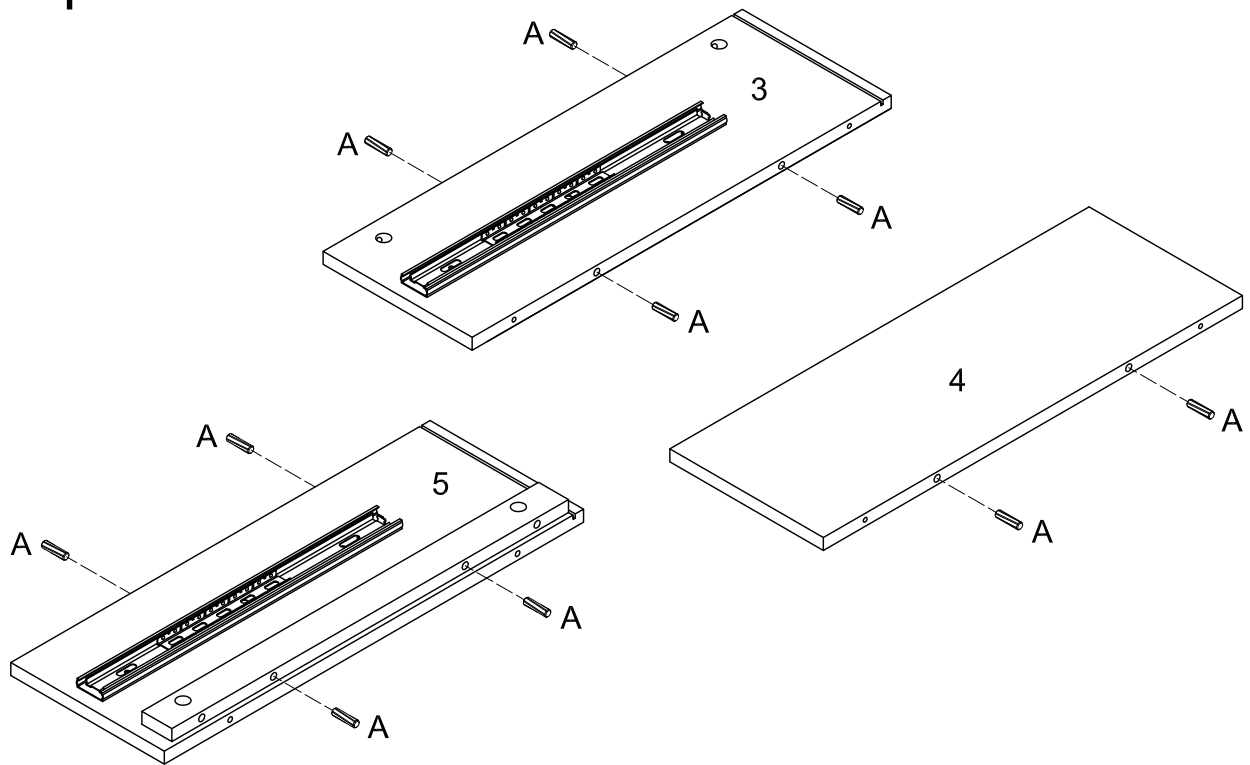
Disassemble drawer slider (S) by sliding the slider arm and slider bracket apart. Depress the small lever of the slider bracket and carefully pull the two pieces apart. Repeat this process for both drawer sliders (S).

Step 2



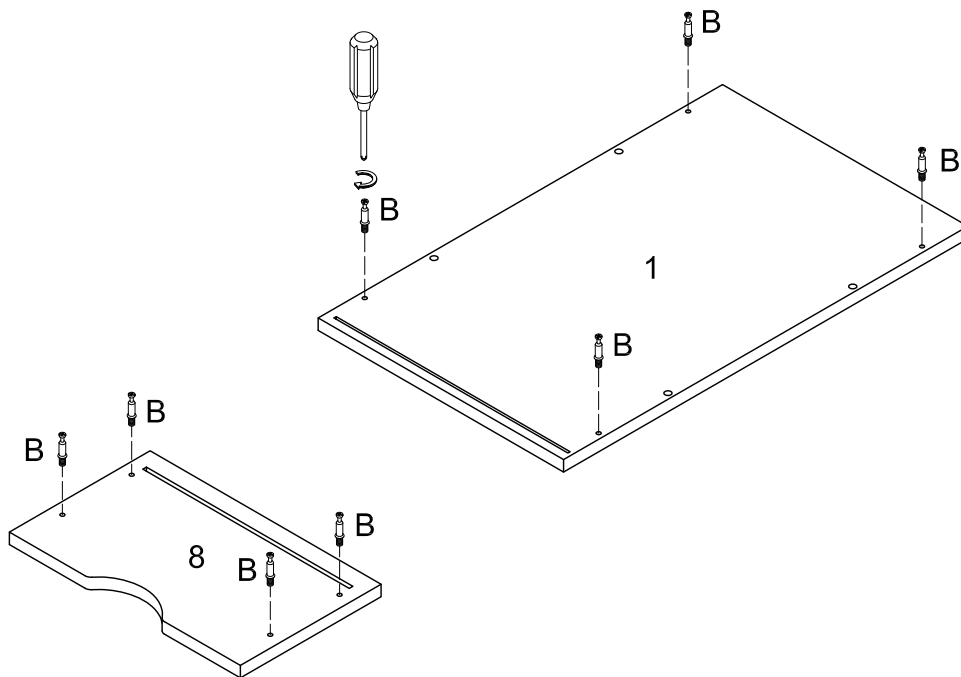
Secure slider arm (S) to side panel (3,5) with screw (R).

Step 3



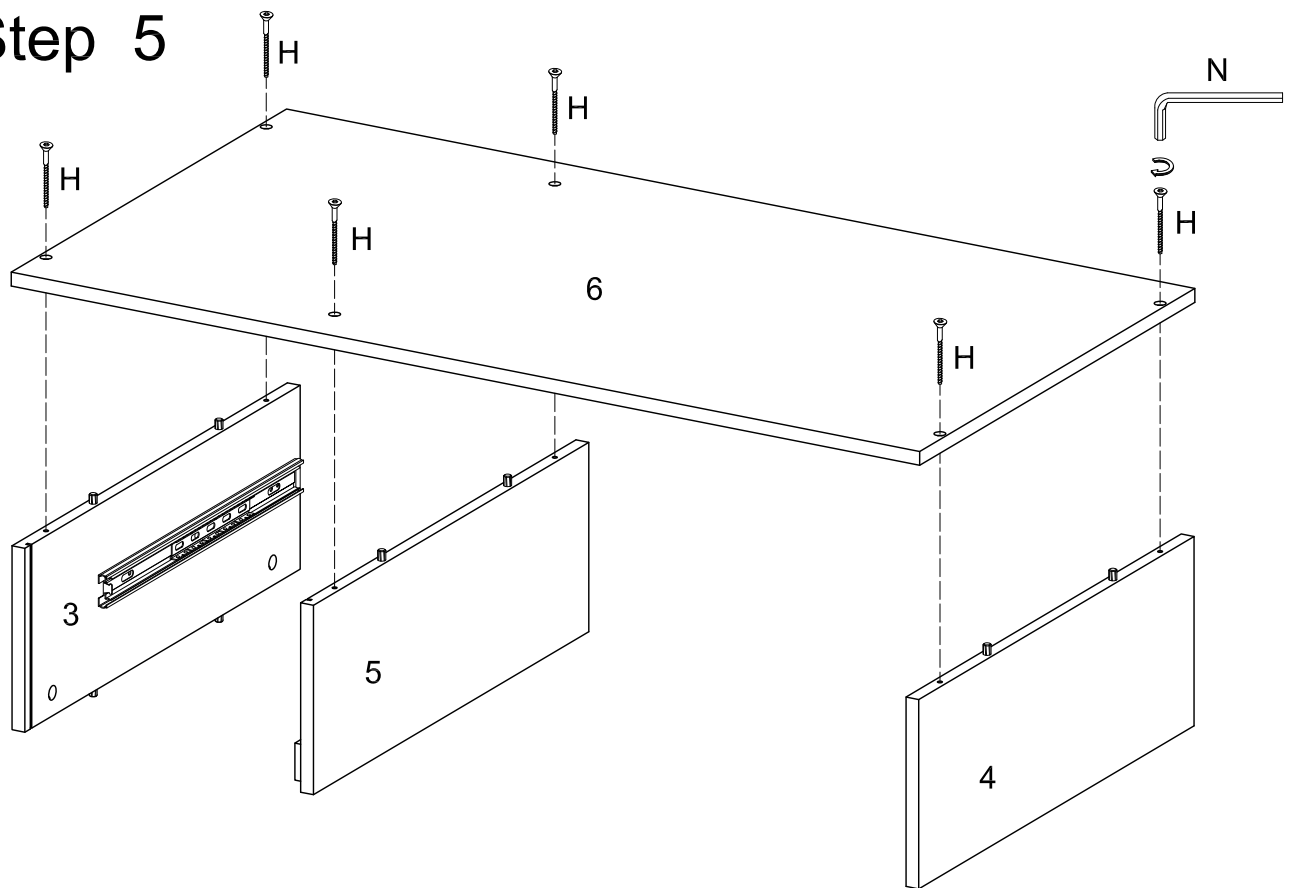
Insert wooden dowel (A) into side panel (3,4,5).

Step 4



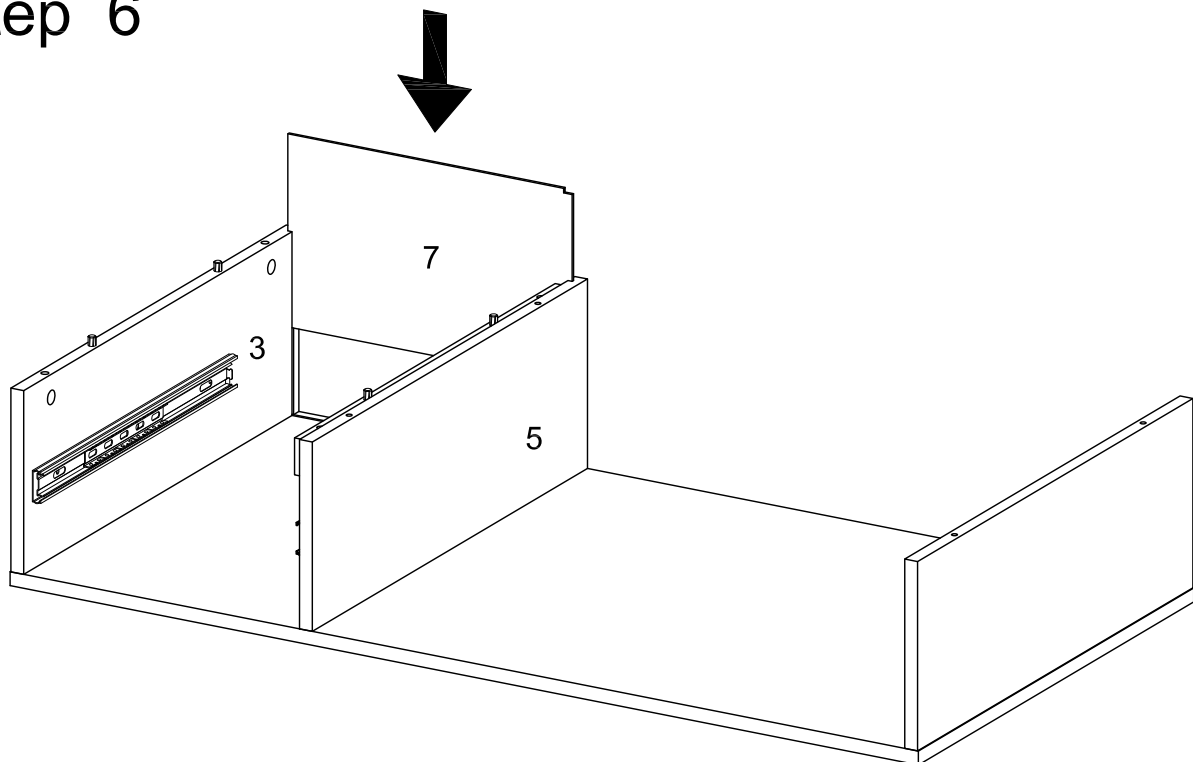
Secure cam bolt (B) to drawer front panel (8) and top panel (1).

Step 5



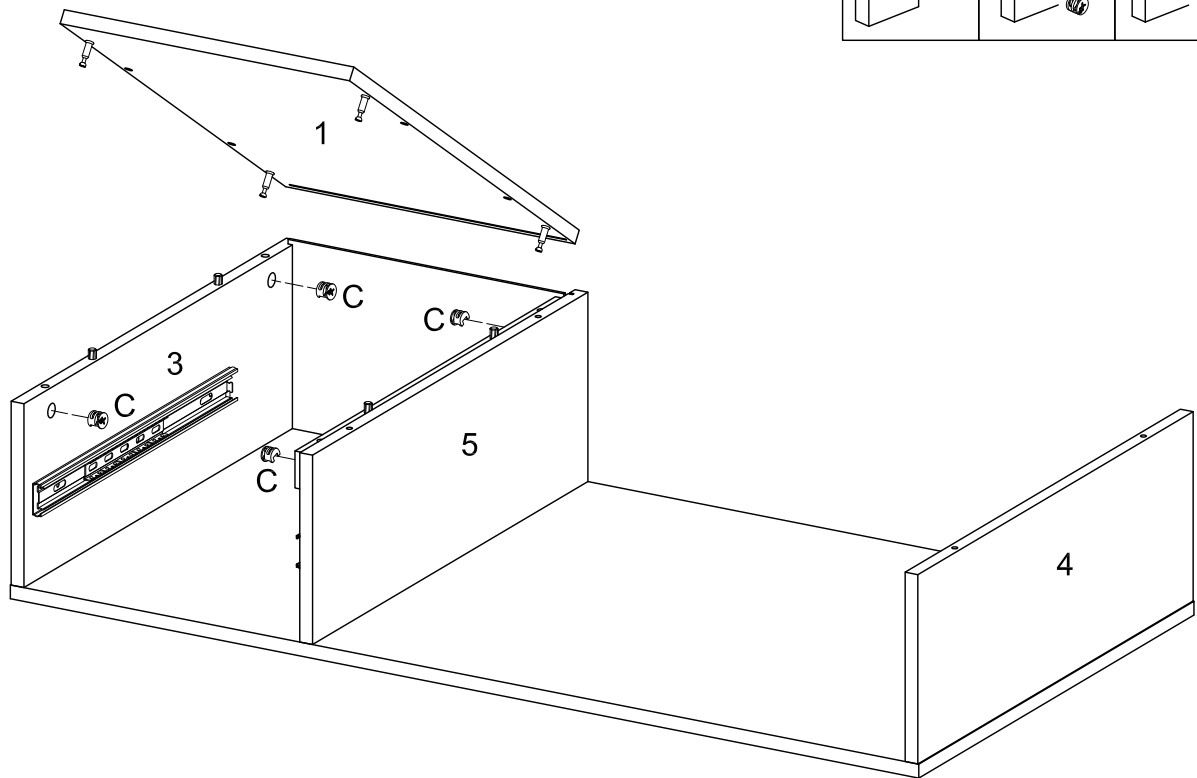
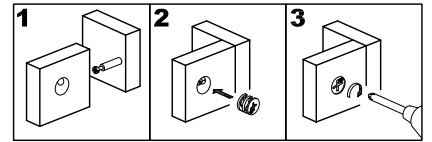
Use wrench (N) to secure bottom panel (6) to side panel (3,4,5) with bolt (H).

Step 6



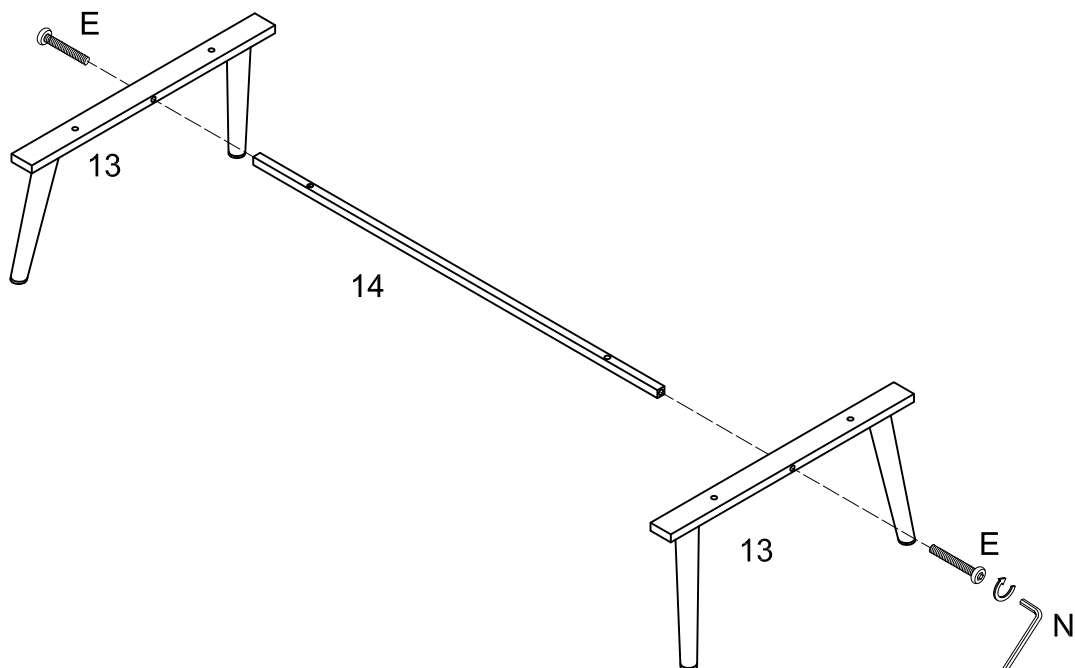
Slide back panel (7) into grooves as per diagram.

Step 7



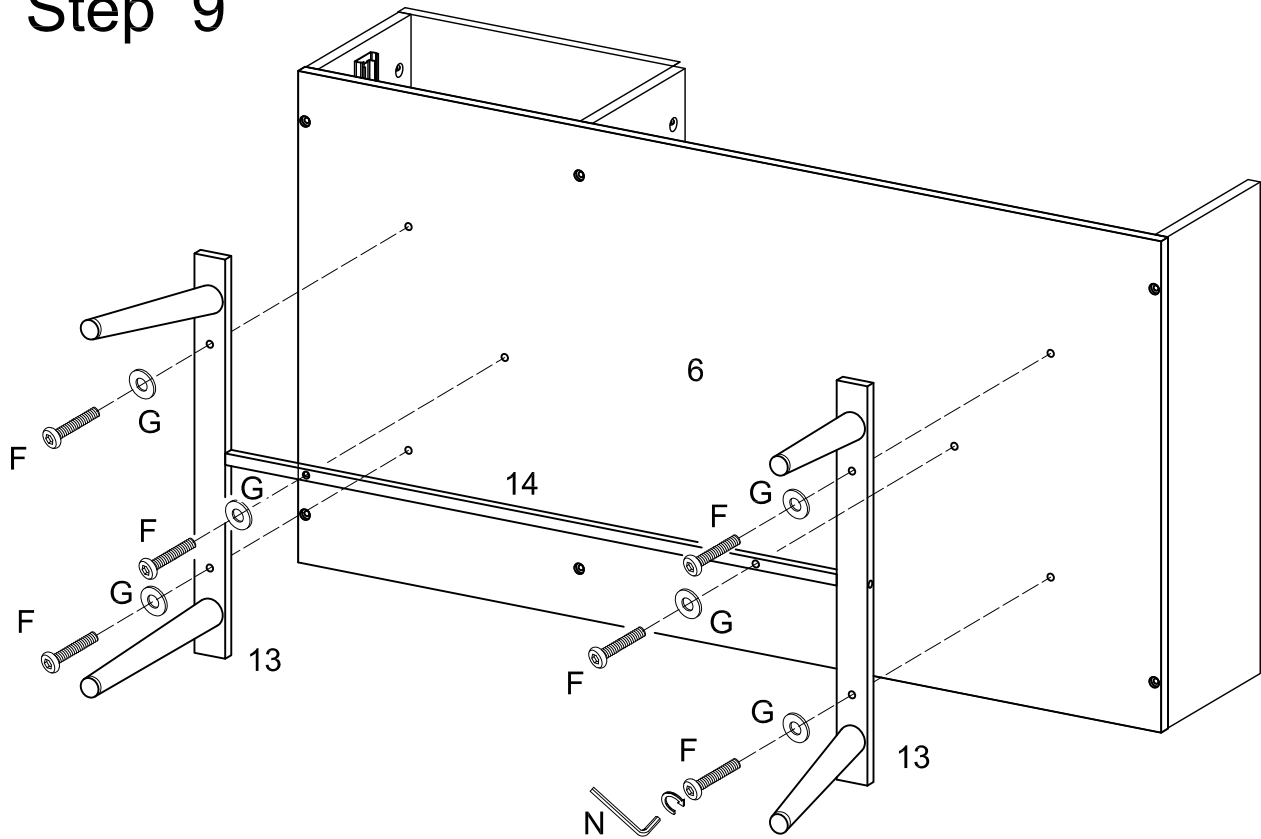
Insert top panel (1) into side panel (3,5), then insert and secure cam lock (C) to side panel (3,5) to lock it.

Step 8



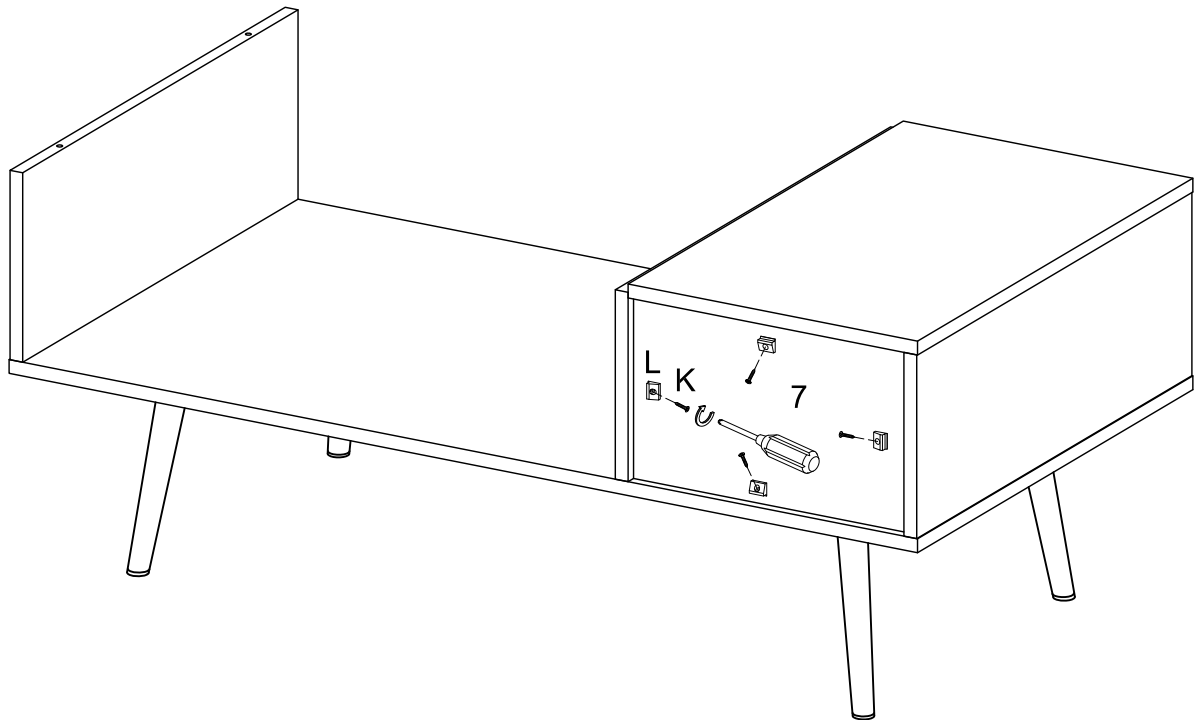
Use wrench (N) to secure leg (13) to part (14) with bolt (E).

Step 9



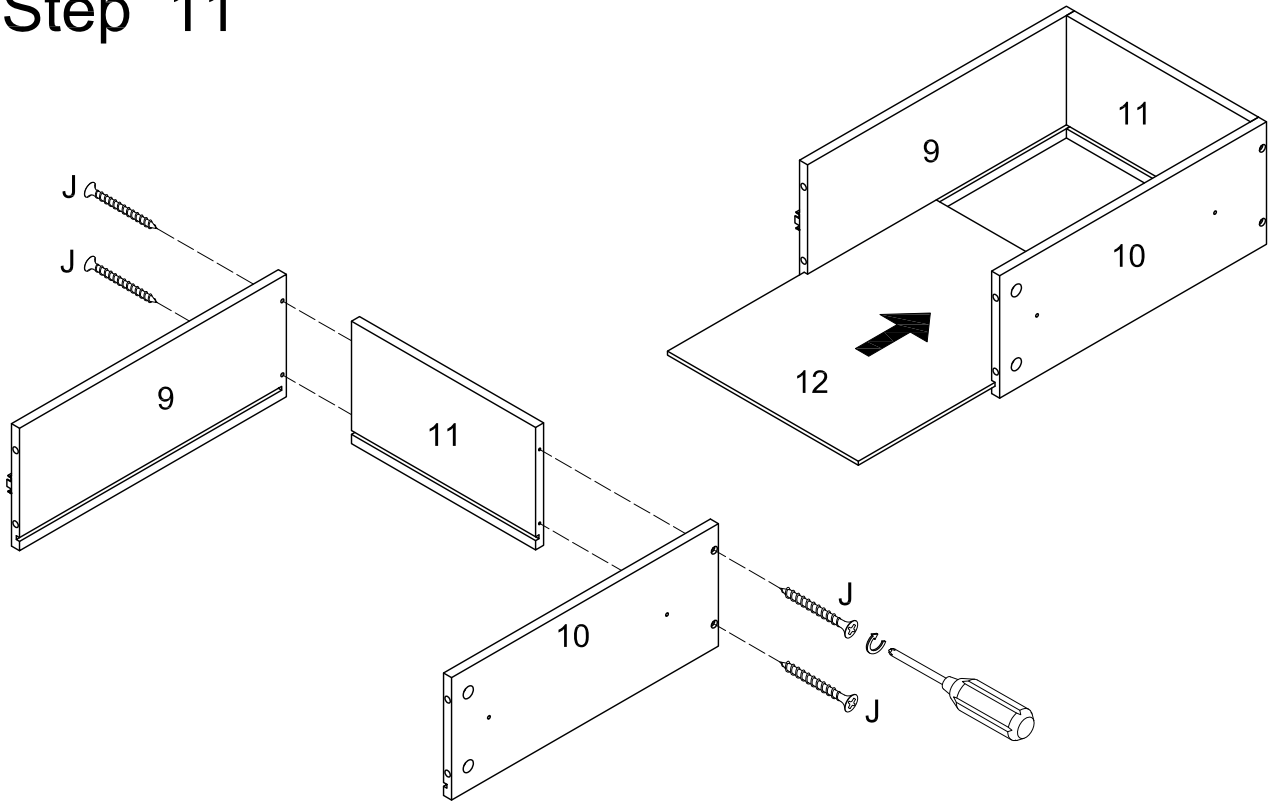
Use wrench (N) to secure leg (13) and part (14) to bottom panel (6) with bolt (F) and washer (G).

Step 10



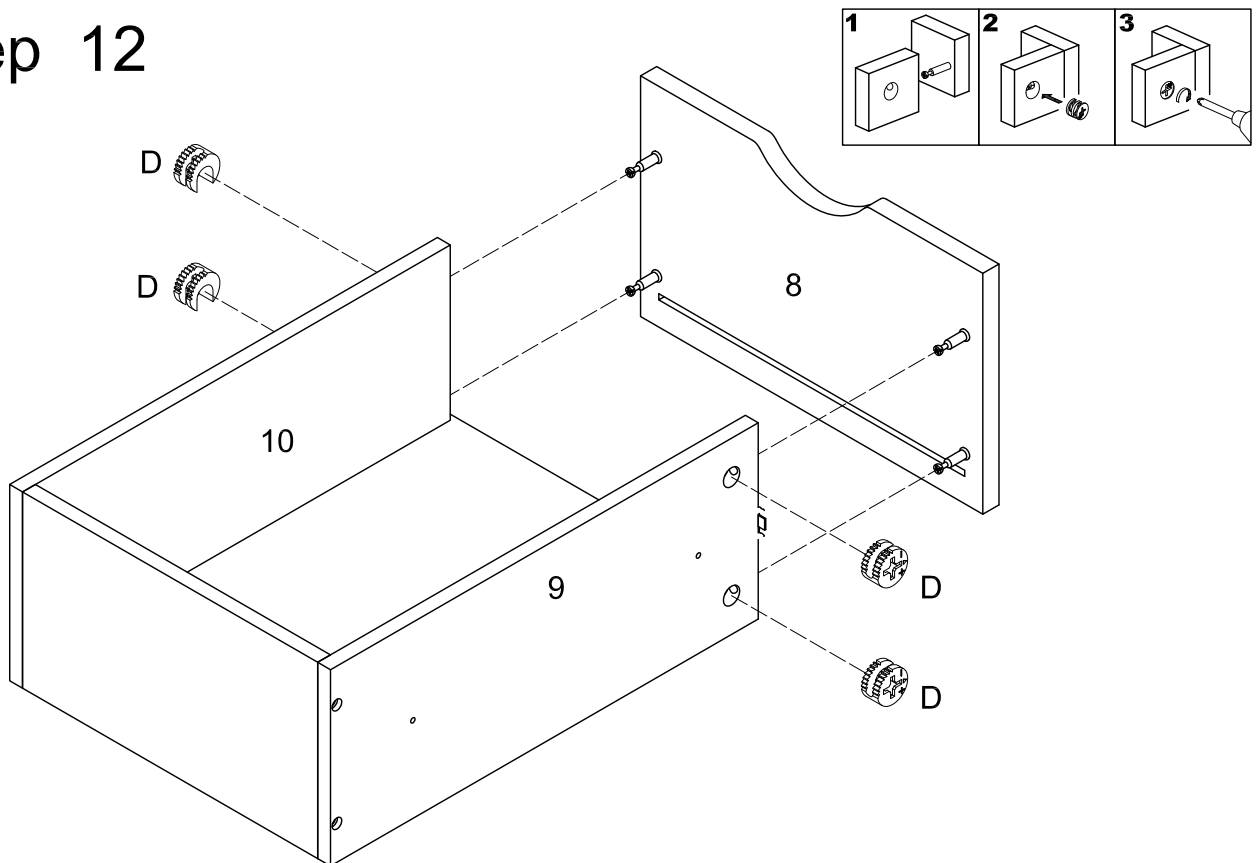
For optional added stability, secure plastic wedge (L) to back panel (7) with screw (K).

Step 11



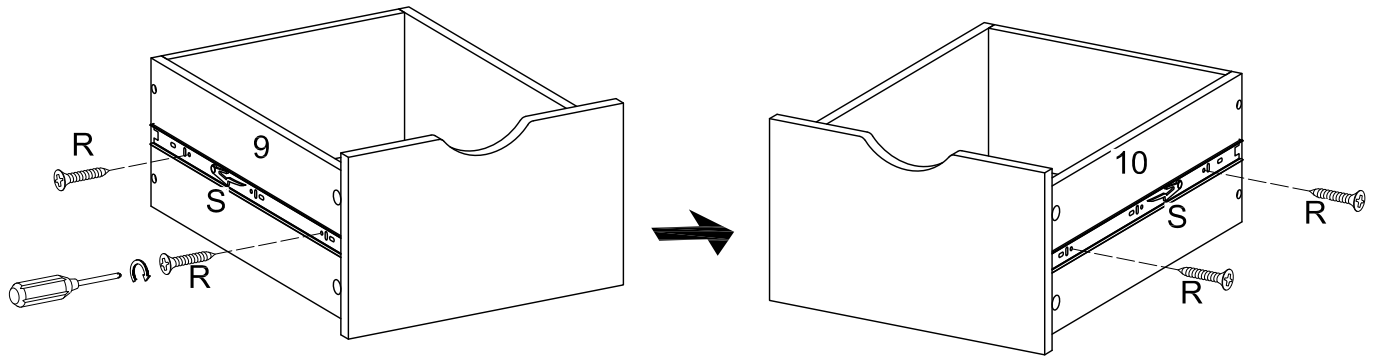
Secure drawer side panel (9,10) to drawer back panel (11) with screw (J), then slide drawer bottom panel (12) into grooves as per diagram.

Step 12



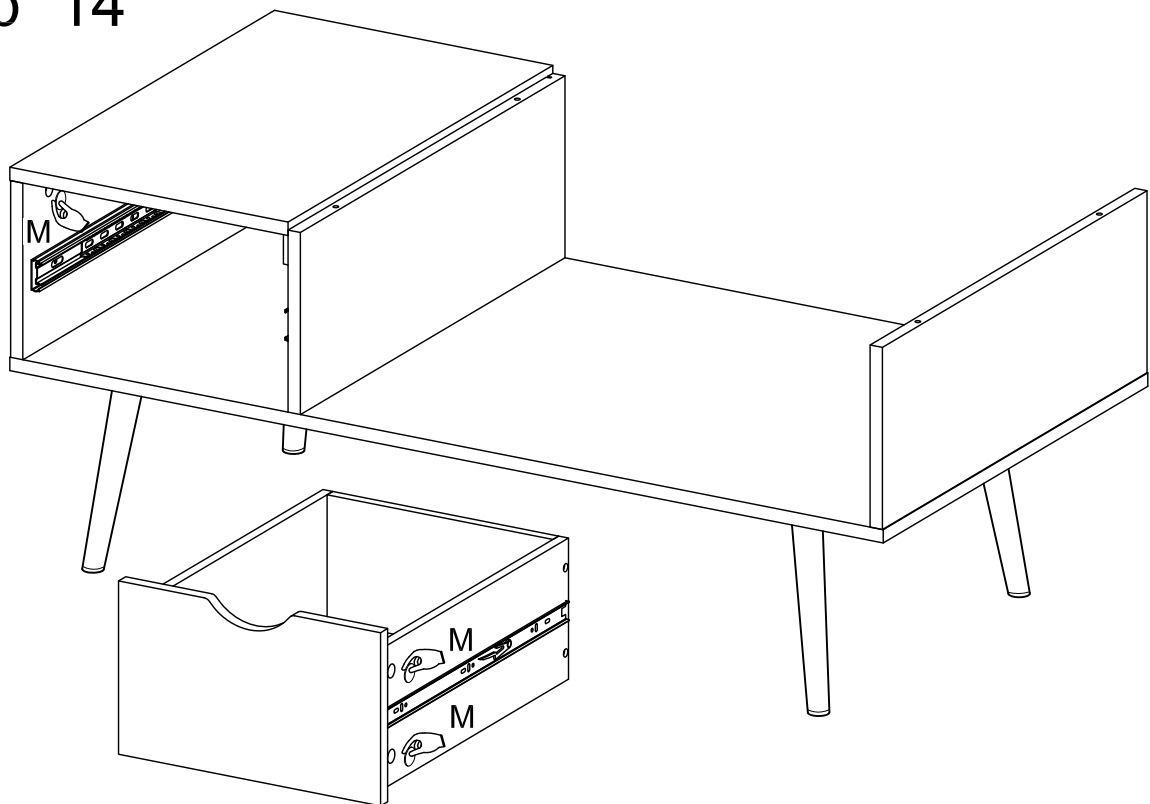
Insert drawer front panel (8) into drawer side panel (9,10), then insert and secure cam lock (D) to drawer side panel (9,10) to lock it.

Step 13



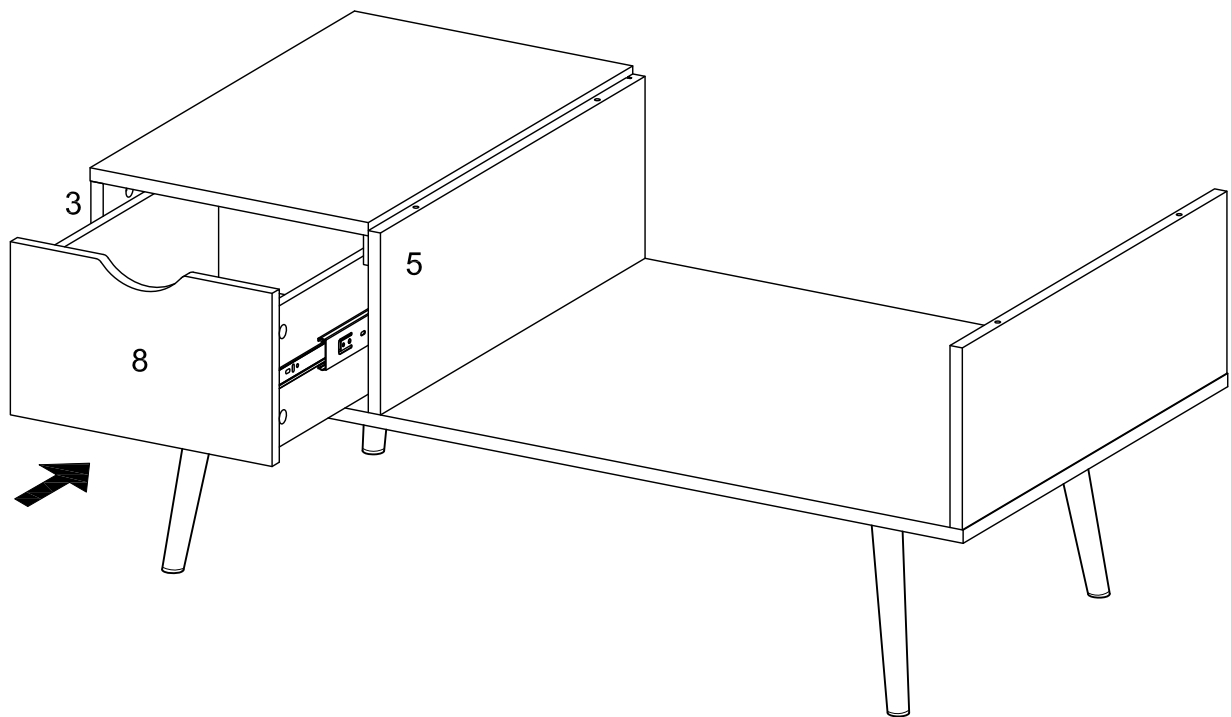
Secure slider bracket (S) to drawer side panel (9,10) with screw (R).

Step 14



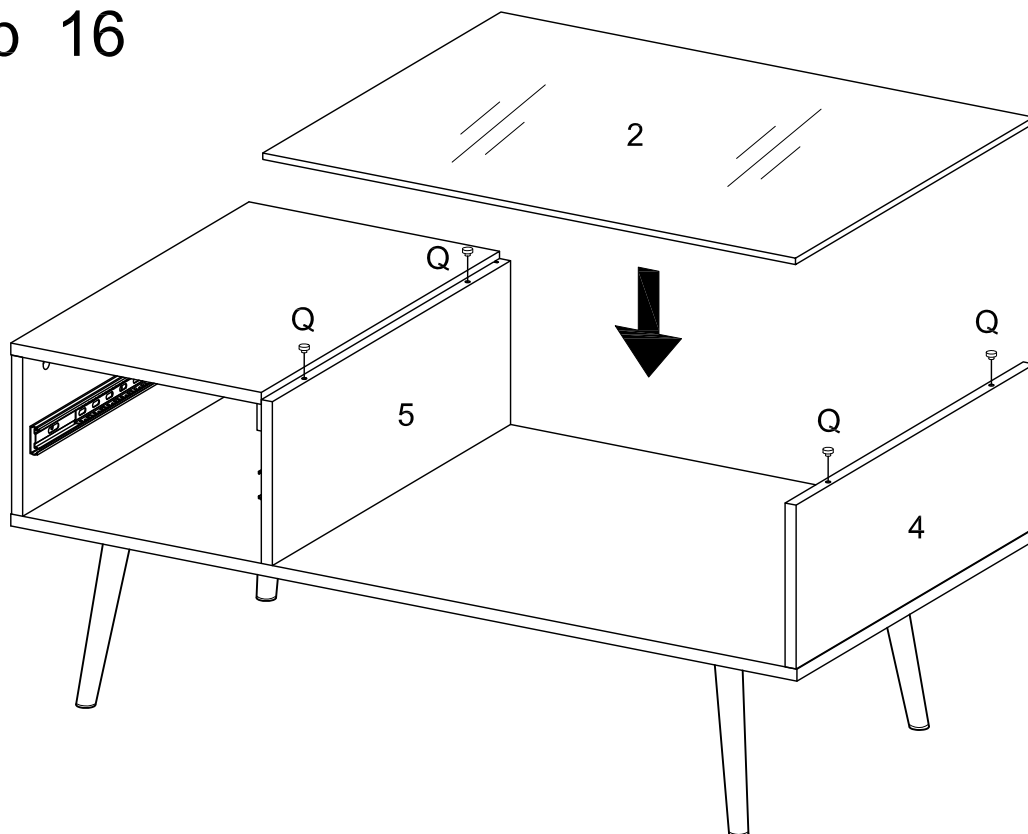
Place sticker (M) over holes as per diagram.

Step 15



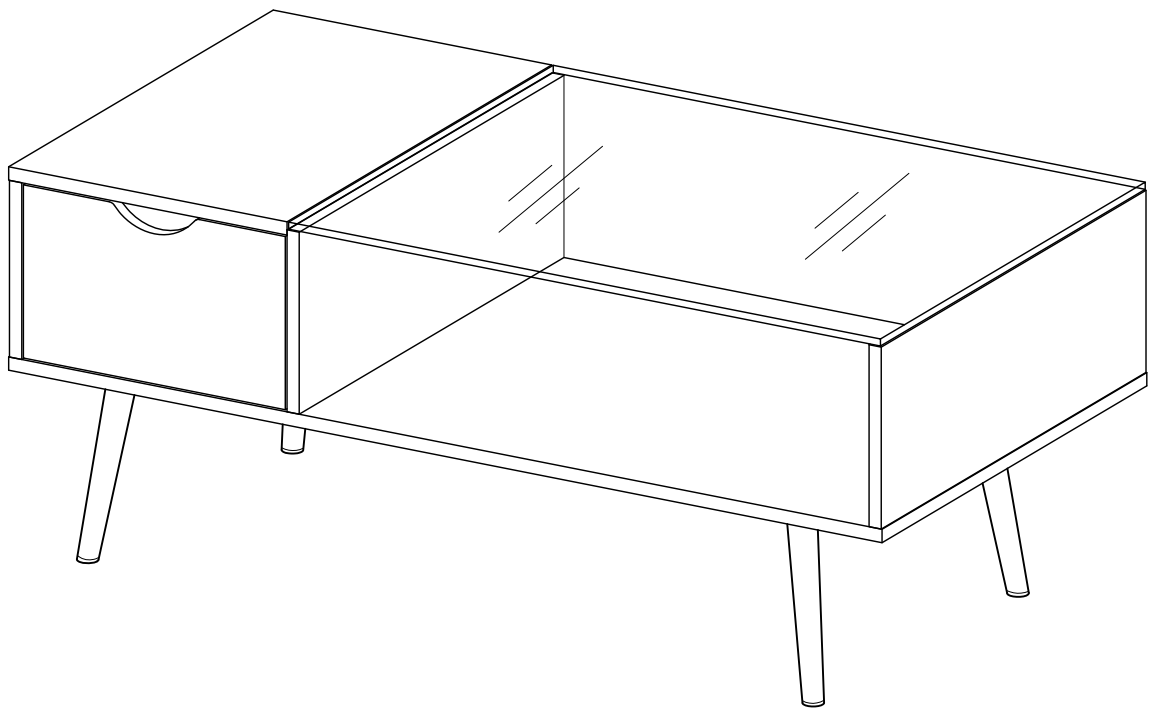
Hold and push the drawer to reattach drawer sliders (S).

Step 16



Place rubber suction cup (Q) over holes as per diagram, then place glass top on top of frame carefully.

Step 17



Final Assembly