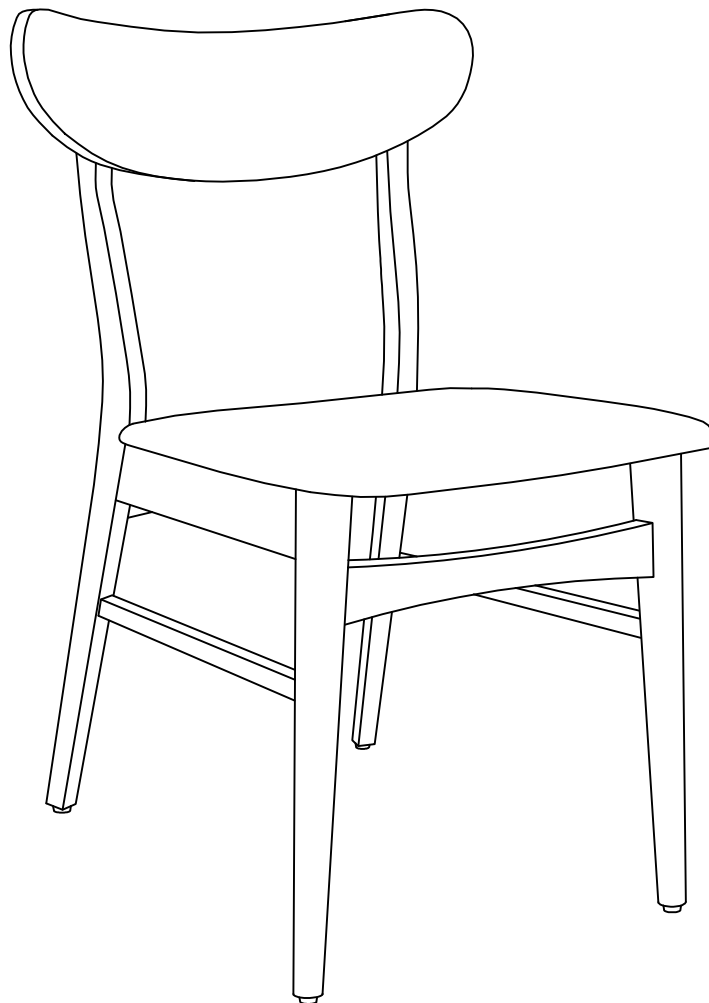


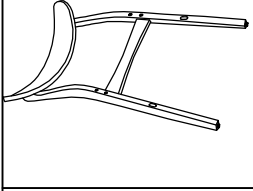
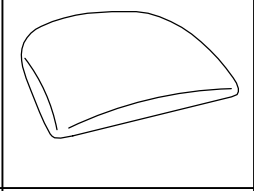
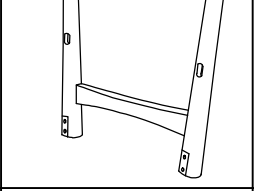
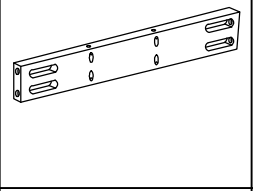
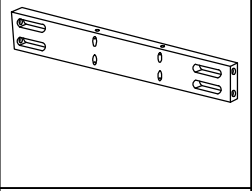
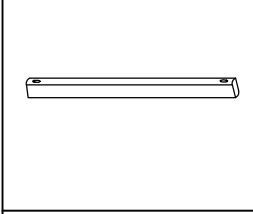
CROSLEY

FURNITURE

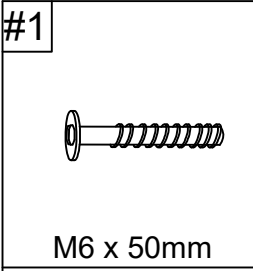
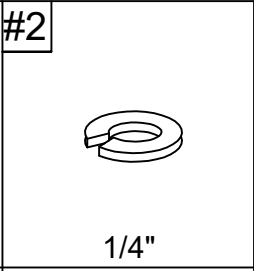
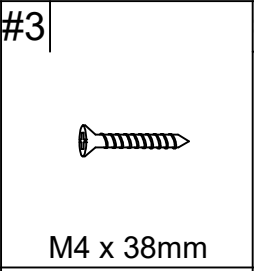
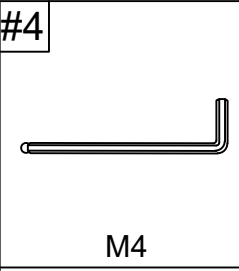
Wood Dining Chair CF6021



PART LIST

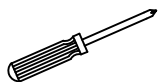
				
<p>Back 2 PCS</p>	<p>Seat 2 PCS</p>	<p>Front Leg 2 PCS</p>	<p>Left Side Rail 2 PCS</p>	<p>Right Side Rail 2 PCS</p>
				
<p>Stretcher 4 PCS</p>				

HARDWARE LIST

			
<p>M6 x 50mm</p>	<p>1/4"</p>	<p>M4 x 38mm</p>	<p>M4</p>
<p>Bolt 16 PCS (Extra 2)</p>	<p>Spring Washer 16 PCS (Extra 2)</p>	<p>Screw 16 PCS (Extra 2)</p>	<p>Allen Wrench 1 PC</p>

ADDITIONAL TOOLS (Not Provided)

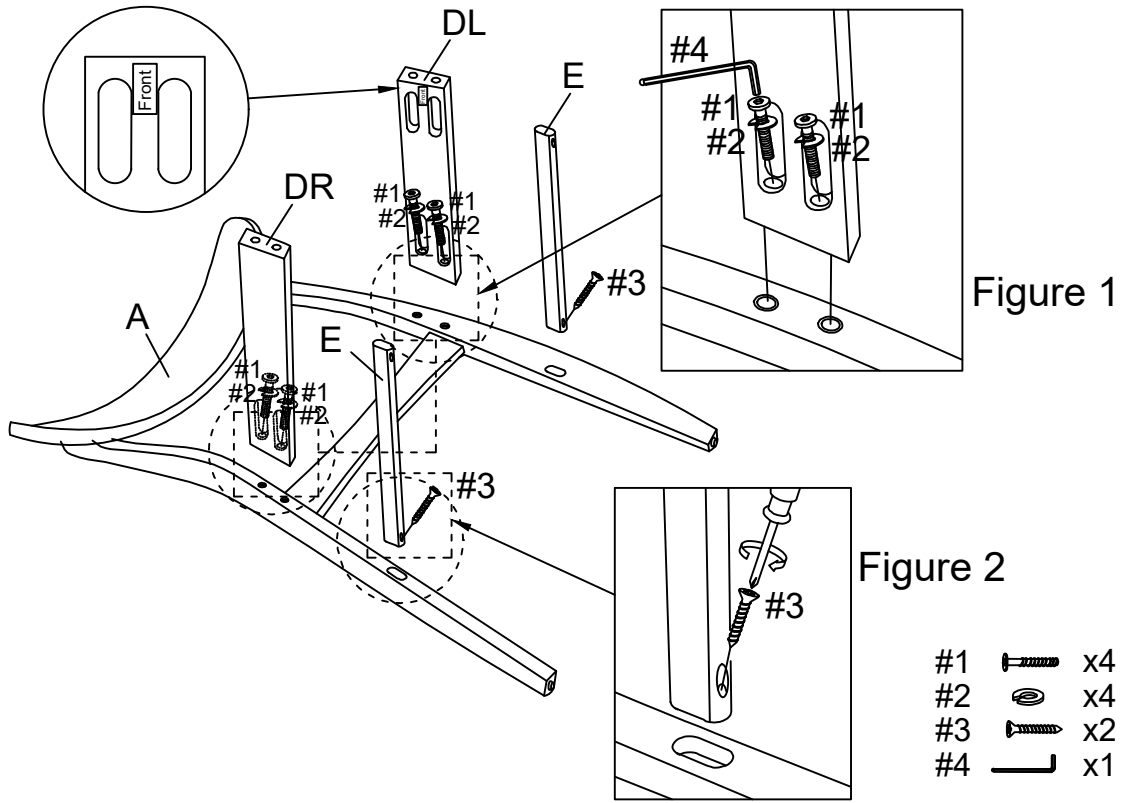
Note: It is not recommended to use power tools during assembly.



Phillips Head Screwdriver

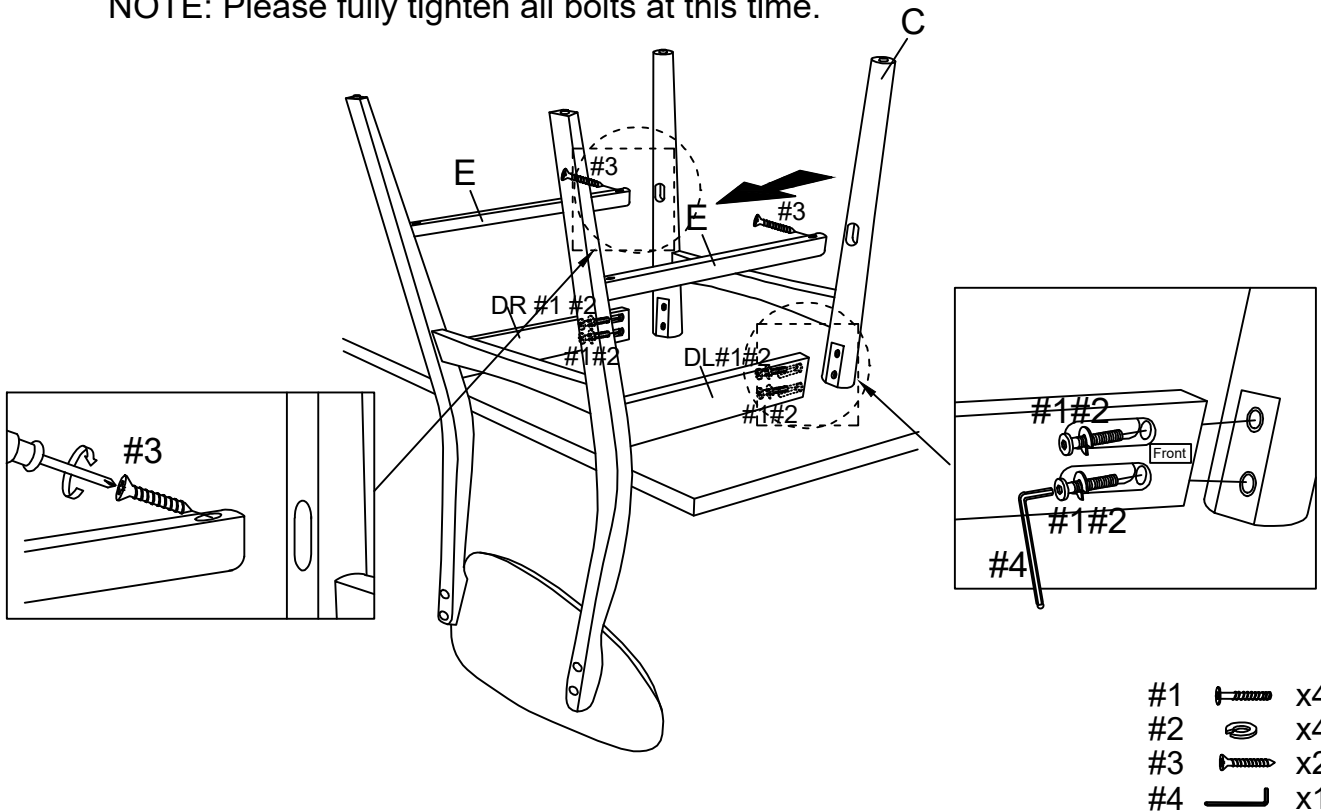
Step 1 . Attach side rails (parts DL & DR) to back (part A) using bolts (part #1), spring washers (part #2) and allen wrench (part #4). See Figure 1. Attach stretchers (part E) to back (part A) using screws (part #3) and phillips head screwdriver. See Figure 2.

NOTE: Please do not fully tighten bolts until unit is fully assembled.



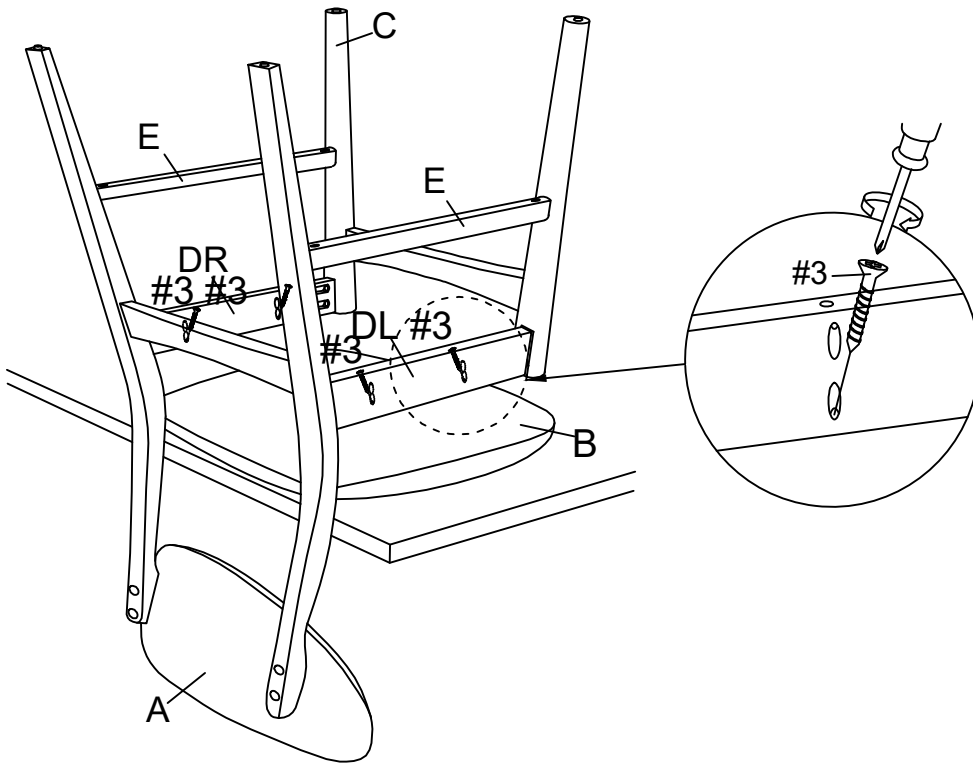
Step 2 . Attach front leg (part C) to side rails (parts DL & DR) and stretchers (part E) using bolts (part #1), spring washers (part #2), screws (part #3), allen wrench (part #4) and phillips head screwdriver.

NOTE: Please fully tighten all bolts at this time.



Step 3 . Attach seat (part B) to side rails (parts DL & DR) using screws (part #3) and phillips head screwdriver.

NOTE: Centering the seat bottom up before screwing and fully tighten all screws.



#3  x4

Step 4. Carefully turn unit upright. Repeat steps 1-3 to assemble remaining chair.

