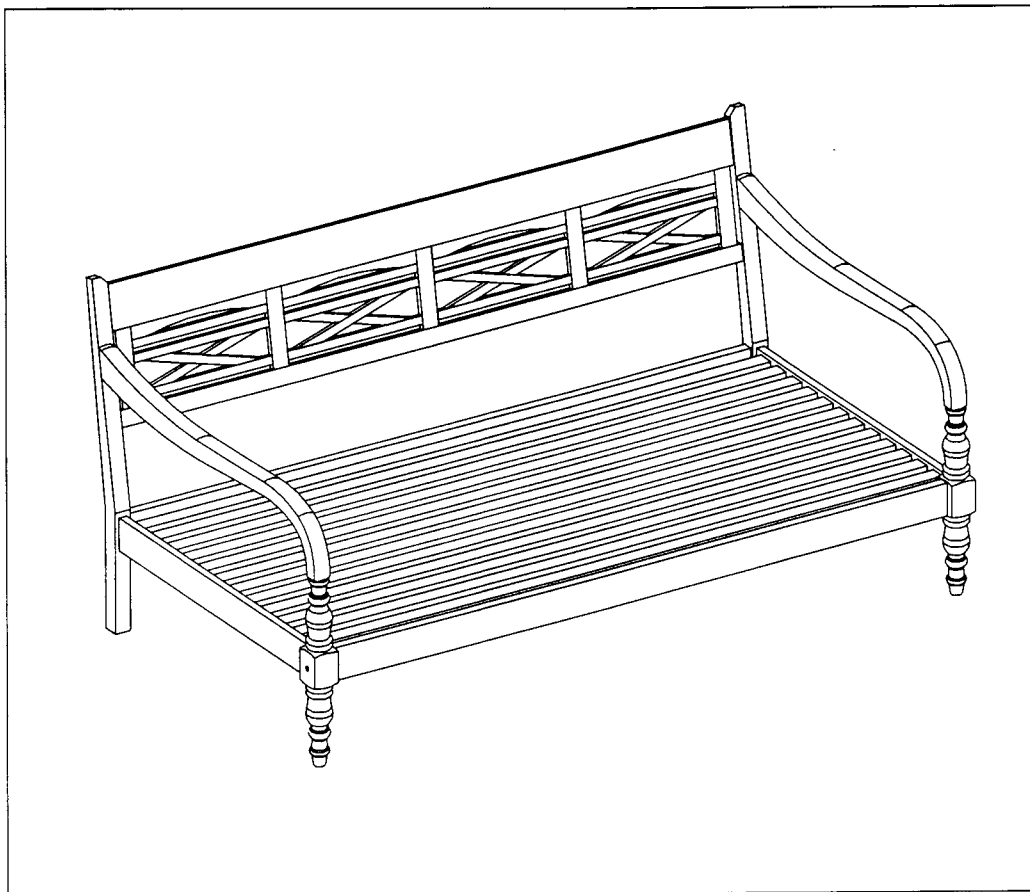


WORLD MARKET®

Assembly Instructions

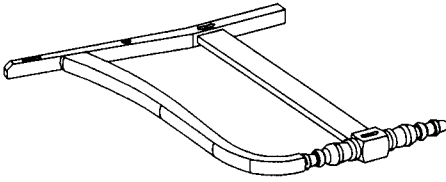
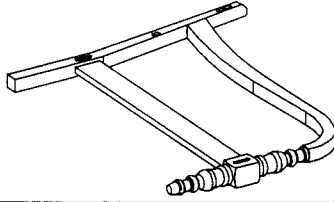
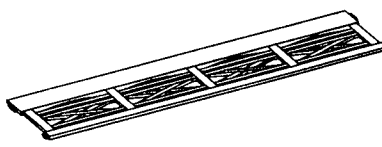
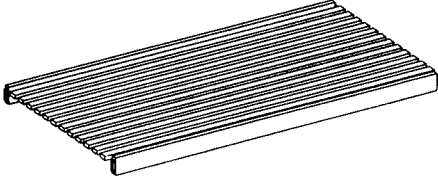
INDONESIAN DAY BED FRAME



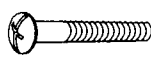
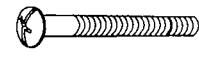

SKU - 449170

THANK YOU FOR YOUR PURCHASE.
IF YOU HAVE ANY QUESTIONS PERTAINING TO THE ASSEMBLY
OF THIS FURNITURE PIECE, PLEASE CONTACT YOUR NEAREST
COST PLUS WORLD MARKET STORE. IF YOU ARE NOT NEAR A STORE,
PLEASE CALL OUR CUSTOMER SERVICE CALL CENTER
TOLL FREE AT 877- 967-5362 FOR ASSISTANCE.

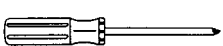
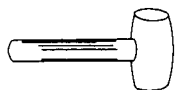
Component List

LABEL	PICTURE	DESCRIPTION	Q'TY
A1		RIGHT SIDE FRAME	1
A2		LEFT SIDE FRAME	1
B		BACK SUPPORT	1
C		SEAT	1

Part List

LABEL	PICTURE	DESCRIPTION	Q'TY
H-1		1 1/2" BOLT	4 x
H-2		2 3/4" BOLT	2 x
H-3		WOODEN CAP	6 x

Tool List

LABEL	PICTURE	DESCRIPTION	Q'TY
T-1		PHILLIPS SCREWDRIVER (NOT INCLUDED)	1
T-2		RUBBER MALLET (NOT INCLUDED)	1

Assembly Preparation

Before Beginning:



- Save all packaging until finished.



- Read instructions, cover to cover.



- Do not assemble on flooring or carpet.



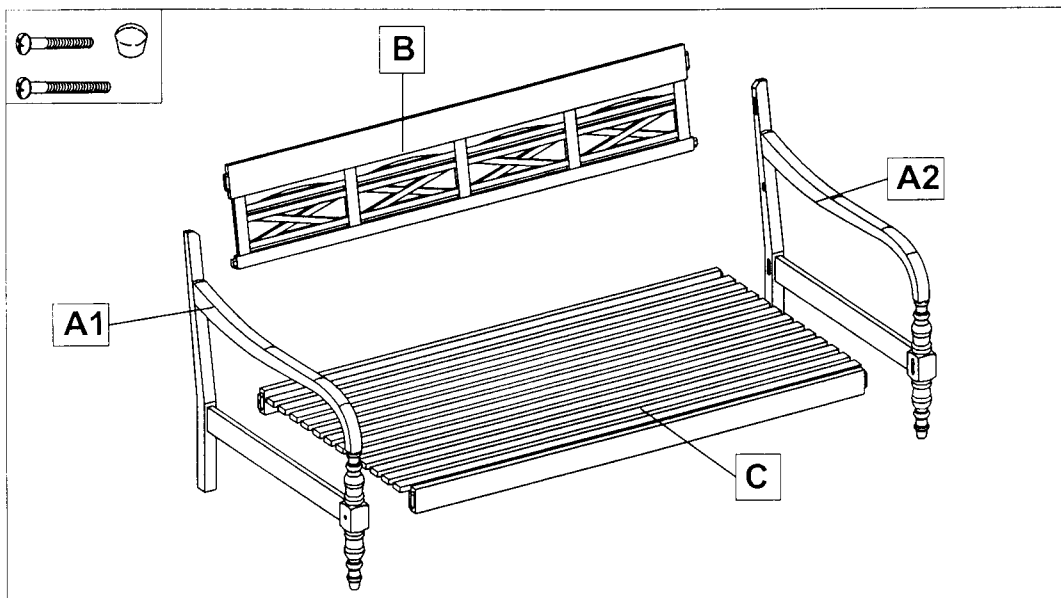
- Assemble on a clean non-marring surface (packing foam).



- Unpack all hardware bags and components to ensure you have all parts.

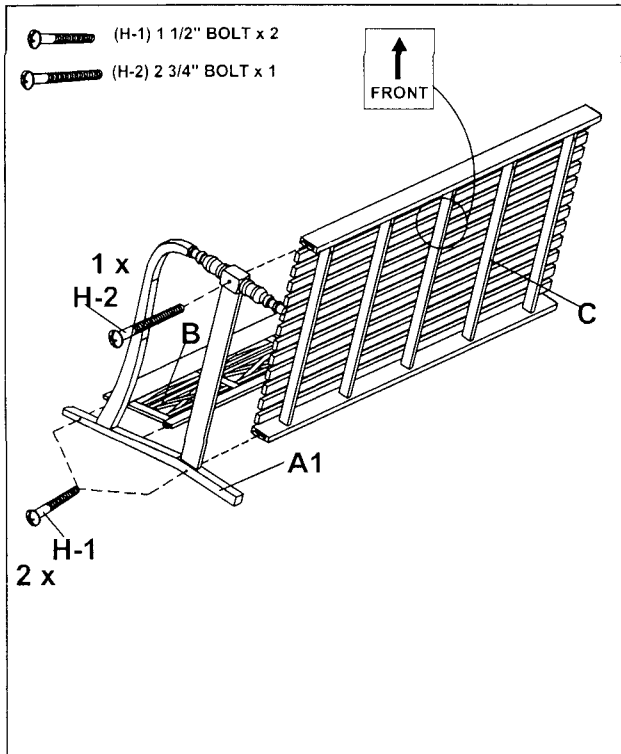


- In case of missing parts, please contact your nearest Cost Plus World Market Store or customer service call center 877-967-5362.



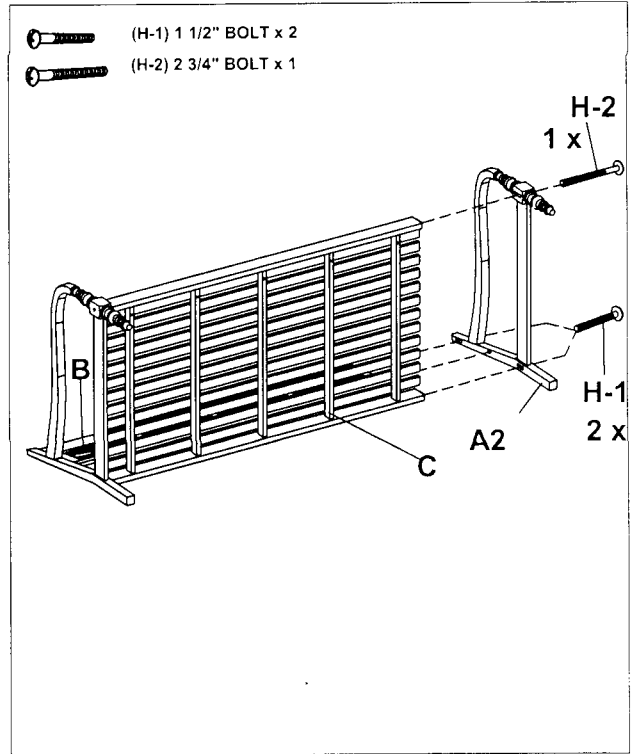
Assembly Steps

STEP 1



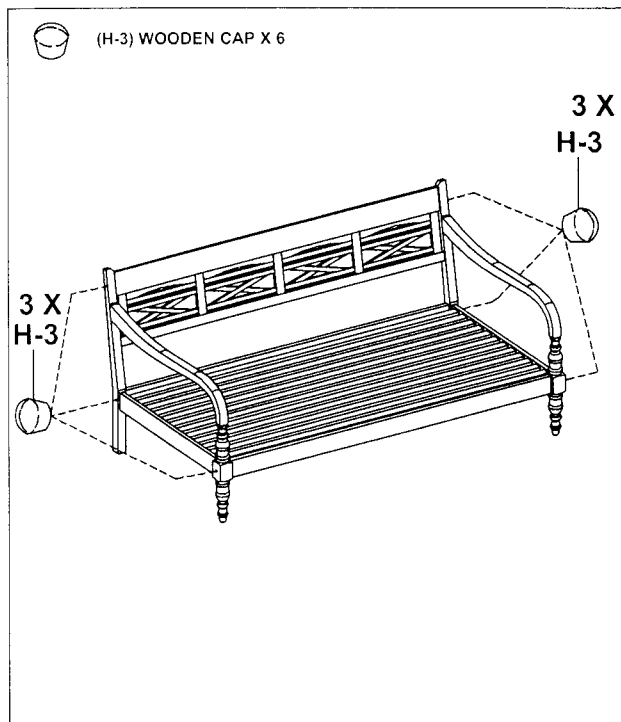
- POSITION BACK SUPPORT (B) BY ATTACHING SEAT TENONS INTO MATCHING HOLES OF RIGHT SIDE FRAME (A1).
- SECURE TOP OF BACK SUPPORT (B) WITH 1 1/2" BOLT (H-1) USING PHILLIPS SCREWDRIVER, NOT PROVIDED.
- SECURE FRONT OF SEAT WITH 2 3/4" BOLT (H-2) AND LOWER BACK OF SEAT WITH 1 1/2" BOLT (H-1).

STEP 2



- REPEAT STEPS FOR LEFT SIDE FRAME (A2).

STEP 3



- TURN CHAIR RIGHT - SIDE UP.
- ENSURE ALL PARTS ARE SECURE. FULLY TIGHTEN ALL BOLTS USING SCREWDRIVER.
- TAP IN WOODEN CAPS (H-3) TO COVER BOLT HEADS USING RUBBER MALLET.

STEP 4



CONGRATULATIONS !
 THE DAY BED IS NOW READY FOR USE.

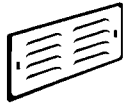
Care & Maintenance



- Do not put hot items directly on furniture surface.



- Do not clean furniture with harsh cleansers, polish, abrasive material, bleach, or scouring products, as this will affect the finish.



- Do not store furniture in areas that have central heating or cooling vents to prevent excessive drying of the wood. This will decrease the furniture's longevity.



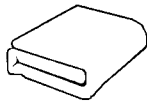
- Do not write on furniture without a padded barrier to protect the surface.



- Do not leave furniture in standing water or in direct contact with wet ground.



- Do not place furniture outside. For indoor use only.



- Dust and pick up spills using a clean, non-colored, lint-free cloth.

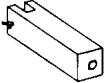
WORLD MARKET[®]

Additional Assembly Steps-5

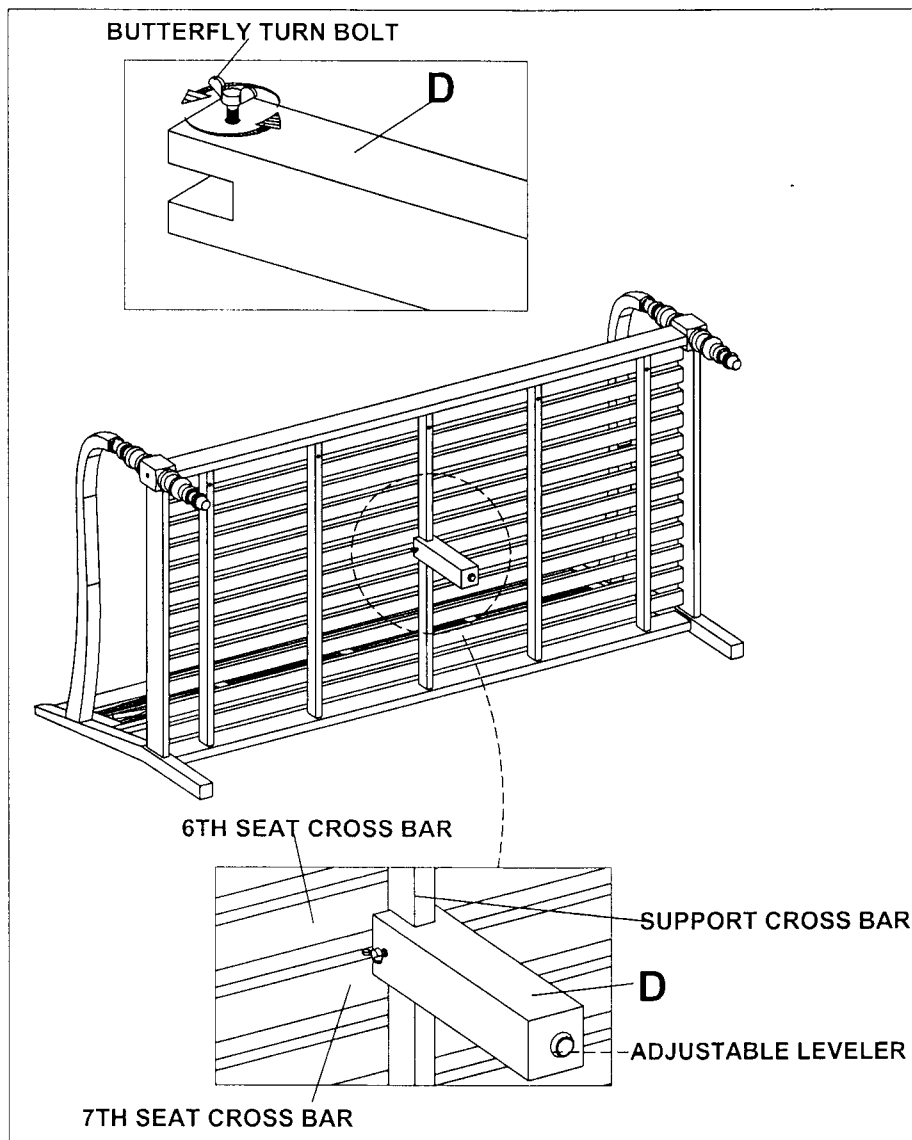
INDONESIAN DAY BED FRAME

SKU - 449170

Component List

D		MIDDLE LEG	1
---	---	------------	---

STEP 5



- UNTIGHTEN THE BUTTERFLY TURN BOLT.
- ATTACHED THE MIDDLE LEG (D) INTO THE MIDDLE SUPPORT CROSS BAR AND BETWEEN THE 6TH & 7TH SEAT CROSS BAR (COUNT FROM THE TOP TO BOTTOM). AS PICTURE SHOWN ABOVE. .
- TIGHTEN THE MIDDLE LEG BY TURNING THE BUTTERFLY BOLT.
- UPRIGHT THE BENCH.
- TO BALANCE THE SEAT HEIGHT BETWEEN THE MIDDLE LEG & BENCH LEGS, ADJUST THE LEVELER UNTIL LEGS BALANCE BEFORE USING.
- BENCH IS NOW READY TO USE.