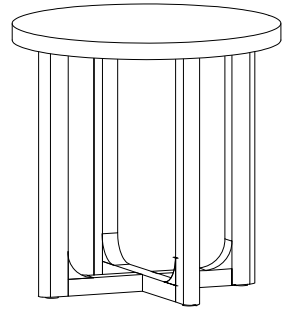
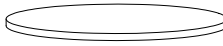


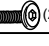
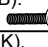







Assembly Instructions

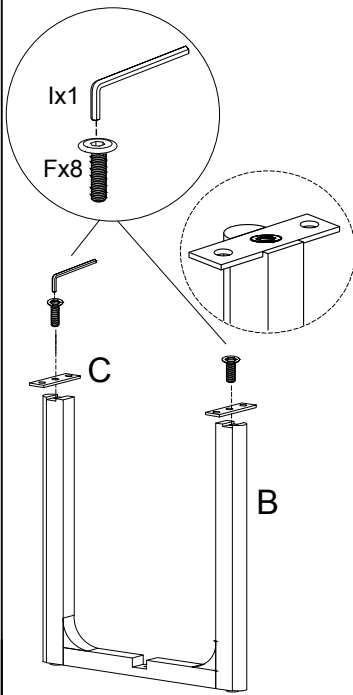
Item Name:- Base Side Table.
Item Code:-LR03842



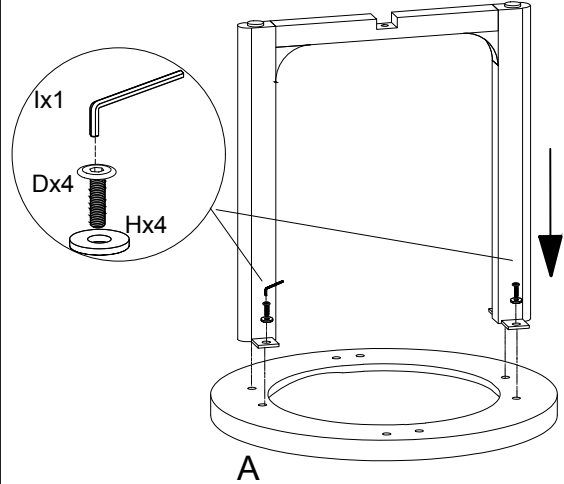
Assembly Time:-15 Minutes.

| Parts | | |
|----------|---|------|
| S.No | Parts | Qty |
| (A) | Wooden Top  | 1pc |
| (B) | Wooden Leg  | 2pcs |
| (C) | Metal Assembly Plate.  | 4pcs |
| Hardware | | |
| S.No | Parts | Qty |
| (D) | Allen Bolt(JCB).  (20x8mm) | 8pcs |
| (E) | Allen Bolt(JCB).  (35x6mm) | 1pc |
| (F) | Allen Bolt(CSK).  (20x8mm) | 4pcs |
| (G) | Washer  (15x8mm) | 1pc |
| (H) | Washer  (25x8mm) | 8pcs |
| (I) | Allen Key  (5mm) | 1pc |
| (J) | Allen Key  (4mm) | 1pc |

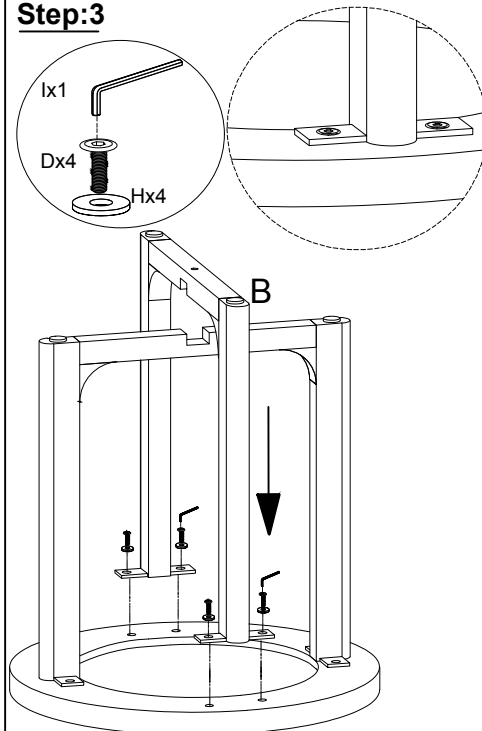
Step:1



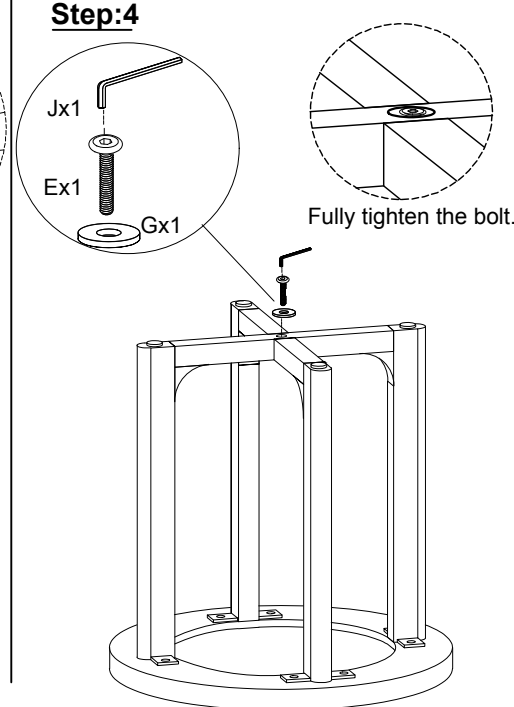
Step:2



Step:3



Step:4



Step:5

